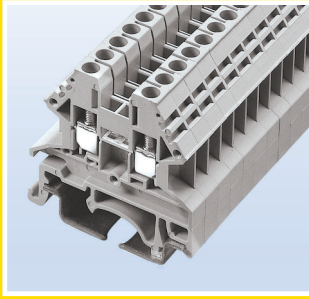


Contents

<i>Description</i>	<i>Page</i>
DIN-Rail terminal blocks	
Feed through blocks (DS)	11-2
Feed through blocks (DP)	11-3
Mini feed through blocks (DM)	11-5
Double level blocks (DDP)	11-6
Disconnect blocks (DIS)	11-6
Grounding blocks (DG)	11-7
Fuse holder blocks (F520)	11-9
Internally jumpered blocks (DDNS)	11-11
Test blocks (DTST2)	11-11
Panel mount blocks	11-12
Short-Circuit Current Ratings (SCCRs)	11-14
Accessories	
Top screw-on bridges	11-15
End brackets	11-16
Partition plates	11-16
Jumper slides	11-17
Top insertion bridges	11-17
Side insertion bridges	11-18
Mounting rails and brackets	11-20
BussScribe marking system	
Marking system	11-21
Marking labels	11-22
Compact blocks	
Feed through blocks (NDN)	11-25
Feed through blocks (C-Rail)	11-27
Depluggable blocks	11-29
Multi-pole panel mount blocks	11-31
Quick connect blocks	11-32
Double row terminal blocks	
TB100 2- to 36-pole blocks	11-33
TB200 and TB200HB 2- to 30-pole blocks	11-35
TB300 and TB345 2- to 24-pole blocks	11-37
<i>Marking options and covers for double row series</i>	11-39
<i>Top and bottom marking strips for terminal blocks</i>	11-40
TB400 2- to 12-pole blocks	11-41
KU 2- to 12-pole panel mount blocks	11-42
Power feed through terminal blocks	
C7021 1- to 6-pole block	11-43
C7024 1- to 12-pole block	11-44

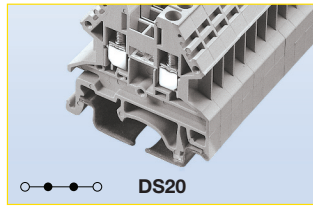
Connectors



DS

The DS features a compact design that saves wiring space on the control panel. Accessories include marking labels, partition plates as well as side and top insertion bridges. Designed for 35mm DIN and 32mm G-Type rails.

IEC60947-7-1 and UL 1059 compliant.



Approval		
Technical Data	UL	IEC
Rated voltage	600V	1000V
Rated current	20A	24A
Conductor cross section, flexible(AWG/mm ²)	22~12 / 0.5~2.5	
Conductor cross section, flexible(AWG/mm ²)	22~12 / 0.5~2.5	
Rated impulse withstand voltage	6kV	
Torque(N•m)	0.4	
Torque(lb-in)	3.5	
Screw	M2.5	
Wire strip length(mm)	9~11	
WxHxD(mm)	5.1 x 39.6 x 40.5	

Colors	Cat. No.
	DS20-GY
	DS20-BU
	DS20-LK
	DS20-RD
	DS20-OR
	DS20-YW
	DS20-GN

Accessories	Cat. No.
	DS20-GY-ND
	DS20-BU-ND
	DS20-LK-ND
	DS20-RD-ND
	DS20-OR-ND
	DS20-YW-ND
	DS20-GN-ND

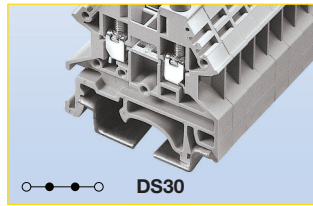
	Cat. No.
	DKNSPS-001
2-pole	DSS2-5N-02P
3-pole	DSS2-5N-03P
4-pole	DSS2-5N-04P
10-pole	DSS2-5N-10P

	Cat. No.
2-pole	CSC-2-502PN
3-pole	CSC-2-503PN
4-pole	CSC-2-504PN
10-pole	CSC-2-510PN

	Cat. No.
2-pole	N/A
3-pole	N/A
4-pole	N/A
10-pole	N/A

	Cat. No.
	TM26CB

	Cat. No.
	DRL32MMG
	DRL35MMHI
	DRL35MML0



Approval		
Technical Data	UL	IEC
Rated voltage	600V	1000V
Rated current	30A	32A
Conductor cross section, flexible(AWG/mm ²)	22~10 / 0.5~4	
Conductor cross section, flexible(AWG/mm ²)	22~10 / 0.5~4	
Rated impulse withstand voltage	6kV	
Torque(N•m)	0.6	
Torque(lb-in)	5.3	
Screw	M3	
Wire strip length(mm)	9~11	
WxHxD(mm)	6.1 x 39.6 x 40.3	

Colors	Cat. No.
	DS30-GY
	DS30-BU
	DS30-LK
	DS30-RD
	DS30-OR
	DS30-YW
	DS30-GN

Accessories	Cat. No.
	DS30-GY-ND
	DS30-BU-ND
	DS30-LK-ND
	DS30-RD-ND
	DS30-OR-ND
	DS30-YW-ND
	DS30-GN-ND

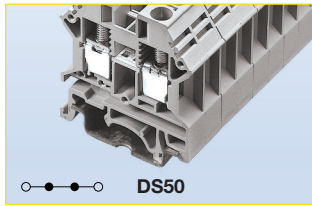
	Cat. No.
	DKNSPS-001
2-pole	DSS4N-02P
3-pole	DSS4N-03P
4-pole	DSS4N-04P
10-pole	DSS4N-10P

	Cat. No.
2-pole	CSC-402PN
3-pole	CSC-403PN
4-pole	CSC-404PN
10-pole	CSC-410PN

	Cat. No.
2-pole	N/A
3-pole	N/A
4-pole	N/A
10-pole	N/A

	Cat. No.
	TM27CB

	Cat. No.
	DRL32MMG
	DRL35MMHI
	DRL35MML0



Approval		
Technical Data	UL	IEC
Rated voltage	600V	1000V
Rated current	50A	41A
Conductor cross section, flexible(AWG/mm ²)	22~10 / 0.5~4	
Conductor cross section, flexible(AWG/mm ²)	20~8 / 0.5~6	
Rated impulse withstand voltage	8kV	
Torque(N•m)	1.2	
Torque(lb-in)	10.6	
Screw	M4	
Wire strip length(mm)	12~14	
WxHxD(mm)	8 x 45 x 41.7	

Colors	Cat. No.
	DS50-GY
	DS50-BU
	DS50-LK
	DS50-RD
	DS50-OR
	DS50-YW
	DS50-GN

Accessories	Cat. No.
	DS50-GY-ND
	DS50-BU-ND
	DS50-LK-ND
	DS50-RD-ND
	DS50-OR-ND
	DS50-YW-ND
	DS50-GN-ND

	Cat. No.
	DKNSPS-002
2-pole	DSS6N-02P
3-pole	DSS6N-03P
4-pole	DSS6N-04P
10-pole	DSS6N-10P

	Cat. No.
2-pole	CSC-602PN
3-pole	CSC-603PN
4-pole	CSC-604PN
10-pole	CSC-610PN

	Cat. No.
2-pole	N/A
3-pole	N/A
4-pole	N/A
10-pole	N/A

	Cat. No.
	TM28CB

	Cat. No.
	DRL32MMG
	DRL35MMHI
	DRL35MML0



Block



End cover



Small partition



Top Insertion bridge



Side Insertion bridge



Top Screw-on bridge



Marking label

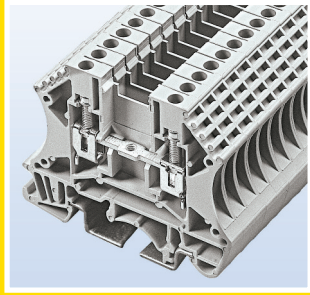


Mounting Rail



Tool


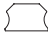

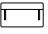
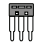







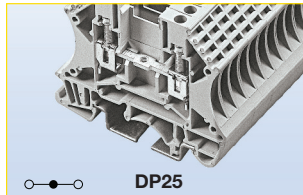




DP

The DP features a generous design allowing for more wiring space and access. Additionally, this series features a larger wire contact area and larger conducting elements. Accessories include marking labels, partition plates, side insertion bridge and top screw-on bridge for improved reliability. Comes with matching shaped grounding blocks. Designed for 35mm DIN and 32mm G-Type rails.

IEC60947-7 and UL1059 compliant.

- Block 
- End cover 
- Partition 
- Small partition 
- Top Insertion bridge 
- Side Insertion bridge 
- Top Screw-on bridge 
- Marking label 
- Mounting Rail 
- Tool 

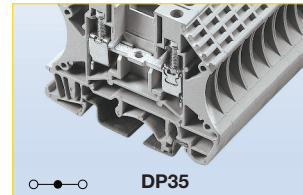




Approval  		
Technical Data	UL	IEC
Rated voltage	600V	630V
Rated current	25A	24A
Conductor cross section, flexible(AWG/mm ²)	22~12 / 0.5~2.5	
Conductor cross section, flexible(AWG/mm ²)	22~12 / 0.5~2.5	
Rated impulse withstand voltage	8kV	
Torque(N•m)	0.8	
Torque(lb-in)	7.1	
Screw	M3	
Wire strip length(mm)	10~12	
WxHxD(mm)	5.1 x 47.6 x 58.9	

Colors	Cat. No.
● Grey	DP25-GY
● Blue	DP25-BU
● Black	DP25-LK
● Red	DP25-RD
● Orange	DP25-OR
● Yellow	DP25-YW
● Green	DP25-GN

Accessories	Cat. No.
● Grey	DP25-GY-ND
● Blue	DP25-BU-ND
● Black	DP25-LK-ND
● Red	DP25-RD-ND
● Orange	DP25-OR-ND
● Yellow	DP25-YW-ND
● Green	DP25-GN-ND
	DKSPS-001
	DKSPS-002

2-pole	N/A
3-pole	N/A
4-pole	N/A
10-pole	N/A
2-pole	CSC-2-502P
3-pole	CSC-2-503P
4-pole	CSC-2-504P
10-pole	CSC-2-510P
2-pole	DS2-5-02P
3-pole	DS2-5-03P
4-pole	DS2-5-04P
10-pole	DS2-5-10P
	TM26CB
	DRL32MMG
	DRL35MMHI
	DRL35MML0
	0.4 x 2.5mm

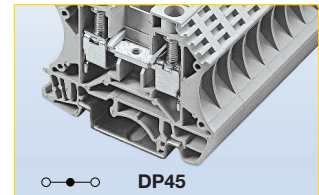




Approval  		
Technical Data	UL	IEC
Rated voltage	600V	630V
Rated current	35A	32A
Conductor cross section, flexible(AWG/mm ²)	22~10 / 0.5~4	
Conductor cross section, flexible(AWG/mm ²)	22~10 / 0.5~4	
Rated impulse withstand voltage	8kV	
Torque(N•m)	0.8	
Torque(lb-in)	7.1	
Screw	M3	
Wire strip length(mm)	10~12	
WxHxD(mm)	6.1 x 47.6 x 58.9	

Colors	Cat. No.
● Grey	DP35-GY
● Blue	DP35-BU
● Black	DP35-LK
● Red	DP35-RD
● Orange	DP35-OR
● Yellow	DP35-YW
● Green	DP35-GN

Accessories	Cat. No.
● Grey	DP35-GY-ND
● Blue	DP35-BU-ND
● Black	DP35-LK-ND
● Red	DP35-RD-ND
● Orange	DP35-OR-ND
● Yellow	DP35-YW-ND
● Green	DP35-GN-ND
	DKSPS-001
	DKSPS-002

2-pole	N/A
3-pole	N/A
4-pole	N/A
10-pole	N/A
2-pole	CSC-402P
3-pole	CSC-303P
4-pole	CSC-404P
10-pole	CSC-410P
2-pole	DS4-02P
3-pole	DS4-03P
4-pole	DS4-04P
10-pole	DS4-10P
	TM27CB
	DRL32MMG
	DRL35MMHI
	DRL35MML0
	0.5 x 3mm

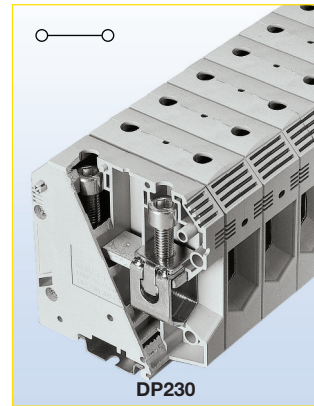
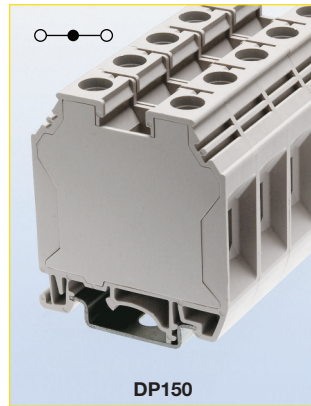
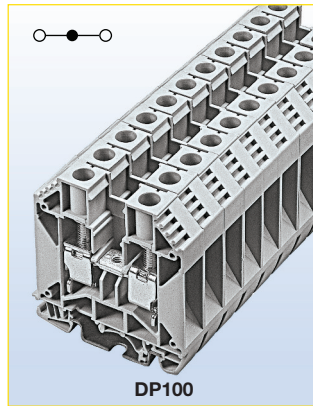
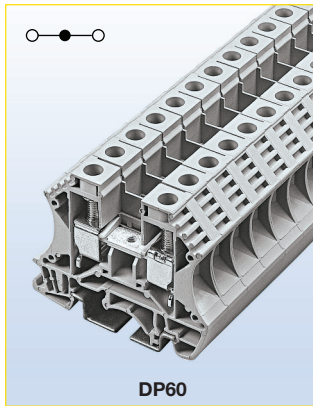


Approval  		
Technical Data	UL	IEC
Rated voltage	600V	500V
Rated current	45A	41A
Conductor cross section, flexible(AWG/mm ²)	20~8 / 0.5~6	
Conductor cross section, flexible(AWG/mm ²)	20~8 / 0.5~6	
Rated impulse withstand voltage	8kV	
Torque(N•m)	1.8	
Torque(lb-in)	15.9	
Screw	M4	
Wire strip length(mm)	12~14	
WxHxD(mm)	8 x 47.6 x 58.9	

Colors	Cat. No.
● Grey	DP45-GY
● Blue	DP45-BU
● Black	DP45-LK
● Red	DP45-RD
● Orange	DP45-OR
● Yellow	DP45-YW
● Green	DP45-GN

Accessories	Cat. No.
● Grey	DP25-GY-ND
● Blue	DP25-BU-ND
● Black	DP25-LK-ND
● Red	DP25-RD-ND
● Orange	DP25-OR-ND
● Yellow	DP25-YW-ND
● Green	DP25-GN-ND
	DKSPS-001
	DKSPS-002

2-pole	N/A
3-pole	N/A
4-pole	N/A
10-pole	N/A
2-pole	CSC-602P
3-pole	CSC-603P
4-pole	CSC-604P
10-pole	CSC-610P
2-pole	DS6-02P
3-pole	DS6-03P
4-pole	DS6-04P
10-pole	DS6-10P
	TM28CB
	DRL32MMG
	DRL35MMHI
	DRL35MML0
	0.8 x 4mm



Approval	c	
Technical Data	UL	IEC

Rated voltage	600V	500V
Rated current	60A	57A
Conductor cross-section, solid (AWG/mm ²)	20~6 / 1.5~10	
Conductor cross-section, flexible (AWG/mm ²)	20~6 / 1.5~10	
Rated impulse withstand voltage	8kV	
Torque(N•m)	1.8	
Torque(lb-in)	15.9	
Screw	M4	
Wire strip length(mm)	12~14	
WxHxD(mm)	10 x 47.6 x 58.9	

Colors	Cat. No.
● Grey	DP60-GY

Accessories	Cat. No.
● Grey	DP25-GY-ND

DKSPS-001	
DKSPS-002	

2-pole	N/A
3-pole	N/A
4-pole	N/A
10-pole	N/A

2-pole	CSC-1002P
3-pole	CSC-1003P
4-pole	CSC-1004P
10-pole	CSC-1010P

2-pole	DS10-02P
3-pole	DS10-03P
4-pole	DS10-04P
10-pole	DS10-10P

TM28CB	
DRL32MMG	
DRL35MMHI	
DRL35MMLLO	
0.8 x 4mm	

Approval	c	
Technical Data	UL	IEC

Rated voltage	600V	1000V
Rated current	100A	101A
Conductor cross-section, solid (AWG/mm ²)	14~3 / 1.5~25	
Conductor cross-section, flexible (AWG/mm ²)	14~3 / 1.5~25	
Rated impulse withstand voltage	8kV	
Torque(N•m)	3.4	
Torque(lb-in)	30.1	
Screw	M5	
Wire strip length(mm)	13~15	
WxHxD(mm)	12 x 52.2 x 46.7	

Colors	Cat. No.
● Grey	DP100-GY

Accessories	Cat. No.
● Grey	DP100-GY-ND

DKNSPS-003	
------------	--

2-pole	N/A
3-pole	N/A
4-pole	N/A
10-pole	N/A

2-pole	CSC-1602P
3-pole	CSC-1603P
4-pole	CSC-1604P
10-pole	CSC-1610P

2-pole	DS16-02P
3-pole	DS16-03P
4-pole	DS16-04P
10-pole	DS16-10P

TM28CB	
DRL32MMG	
DRL35MMHI	
DRL35MMLLO	
1.0 x 5.5mm	

Approval	c	
Technical Data	UL	IEC

Rated voltage	600V	1000V
Rated current	150A	150A
Conductor cross-section, solid (AWG/mm ²)	12~1/0 / 2.5~50	
Conductor cross-section, flexible (AWG/mm ²)	12~1/0 / 2.5~50	
Rated impulse withstand voltage	8kV	
Torque(N•m)	6.9	
Torque(lb-in)	61.1	
Screw	M6	
Wire strip length(mm)	16~18	
WxHxD(mm)	16 x 61.2 x 52	

Colors	Cat. No.
● Grey	DP150-GY
● Blue	DP150-BU

Accessories	Cat. No.

DKNSPS-004	
------------	--

2-pole	N/A
3-pole	N/A
4-pole	N/A
10-pole	N/A

2-pole	CSC-3502P
3-pole	CSC-3503P
4-pole	CSC-3504P
10-pole	CSC-3510P

2-pole	DS35-02P
3-pole	DS35-03P
4-pole	DS35-04P
10-pole	DS35-10P

TM28CB	
DRL32MMG	
DRL35MMHI	
DRL35MMLLO	



Approval	c	
Technical Data	UL	IEC

Rated voltage	600V	1000V
Rated current	230A	232A
Conductor cross-section, solid (AWG/mm ²)	2 / 35	
Conductor cross-section, flexible (AWG/mm ²)	2~4/0 / 35~95	
Rated impulse withstand voltage	8kV	
Torque(N•m)	10.2	
Torque(lb-in)	90.3	
Screw	M8	
Wire strip length(mm)	30~35	
WxHxD(mm)	25 x 88.5 x 80	

Colors	Cat. No.
● Grey	DP230-GY
● Blue	DP230-BU

Accessories	Cat. No.

DKNSPS-004	
------------	--

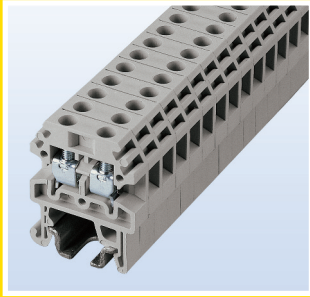
2-pole	N/A
3-pole	N/A
4-pole	N/A
10-pole	N/A

2-pole	CSC-9502P
3-pole	CSC-9503P
4-pole	N/A
10-pole	N/A

2-pole	N/A
3-pole	N/A
4-pole	N/A
10-pole	N/A

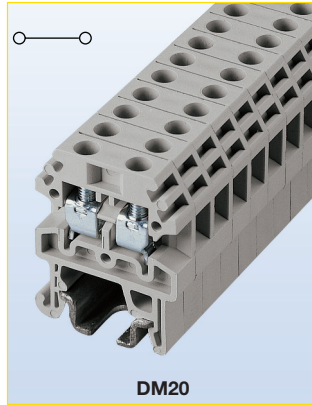
TM28CB	
DRL32MMG	
DRL35MMHI	
DRL35MMLLO	



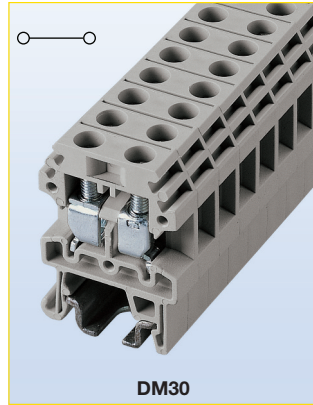


DM

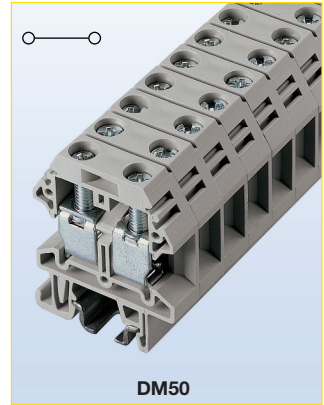
The DM is our low cost, miniature feed through terminal block design for 15mm DIN-Rail. Accessories include side insertion bridge and marking labels.



DM20



DM30



DM50

Approval	
----------	--

Technical Data	UL	IEC
Rated voltage	300V	500V
Rated current	20A	24A
Conductor cross-section, solid (AWG/mm ²)	22~12 / 0.5~2.5	
Conductor cross-section, flexible (AWG/mm ²)	22~12 / 0.5~2.5	
Rated impulse withstand voltage	5kV	
Torque(N•m)	0.4	
Torque(lb-in)	3.5	
Screw	M2.5	
Wire strip length(mm)	7~9	
WxHxD(mm)	5.1 x 28 x 22	

Colors	Cat. No.
--------	----------

● Grey	DM20-GY
● Blue	DM20-BU
● Black	DM20-LK

Accessories	Cat. No.
-------------	----------

● Grey	DM20-GY-ND
● Blue	DM20-BU-ND
● Black	DM20-LK-ND

Approval	
----------	--

Technical Data	UL	IEC
Rated voltage	300V	500V
Rated current	30A	32A
Conductor cross-section, solid (AWG/mm ²)	22~10 / 0.5~4	
Conductor cross-section, flexible (AWG/mm ²)	22~10 / 0.5~4	
Rated impulse withstand voltage	5kV	
Torque(N•m)	0.6	
Torque(lb-in)	5.3	
Screw	M3	
Wire strip length(mm)	7~9	
WxHxD(mm)	6.1 x 31.5 x 22	

Colors	Cat. No.
--------	----------

● Grey	DM30-GY
● Blue	DM30-BU
● Black	DM30-LK

Accessories	Cat. No.
-------------	----------

● Grey	DM30-GY-ND
● Blue	DM30-BU-ND
● Black	DM30-LK-ND

Approval	
----------	--

Technical Data	UL	IEC
Rated voltage	300V	500V
Rated current	50A	41A
Conductor cross-section, solid (AWG/mm ²)	20~8 / 0.5~6	
Conductor cross-section, flexible (AWG/mm ²)	20~8 / 0.5~6	
Rated impulse withstand voltage	6kV	
Torque(N•m)	1.2	
Torque(lb-in)	10.6	
Screw	M4	
Wire strip length(mm)	9~11	
WxHxD(mm)	8 x 37.4 x 30	

Colors	Cat. No.
--------	----------

● Grey	DM50-GY
● Blue	DM50-BU
● Black	DM50-LK

Accessories	Cat. No.
-------------	----------

● Grey	DM50-GY-ND
● Blue	DM50-BU-ND
● Black	DM50-LK-ND

- Block
- End cover
- Partition
- Small partition
- Top Insertion bridge
- Side Insertion bridge
- Top Screw-on bridge
- Marking label
- Mounting Rail
- Tool

2-pole	N/A
3-pole	N/A
4-pole	N/A
10-pole	N/A

2-pole	CSC-2-502PS
3-pole	CSC-2-503PS
4-pole	CSC-2-504PS
10-pole	CSC-2-510PS

2-pole	N/A
3-pole	N/A
4-pole	N/A
10-pole	N/A

	TM20CB
--	--------

	DRL15MM
--	---------

2-pole	N/A
3-pole	N/A
4-pole	N/A
10-pole	N/A

2-pole	CSC-402PS
3-pole	CSC-303PS
4-pole	CSC-404PS
10-pole	CSC-410PS

2-pole	N/A
3-pole	N/A
4-pole	N/A
10-pole	N/A

	TM21CB
--	--------

	DRL15MM
--	---------

2-pole	N/A
3-pole	N/A
4-pole	N/A
10-pole	N/A

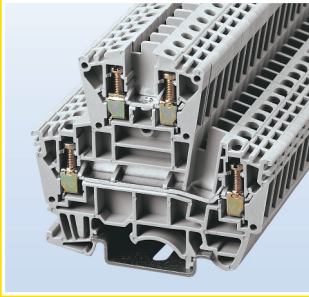
2-pole	CSC-602PS
3-pole	CSC-603PS
4-pole	CSC-604PS
10-pole	CSC-610PS

2-pole	N/A
3-pole	N/A
4-pole	N/A
10-pole	N/A

	TM22CB
--	--------

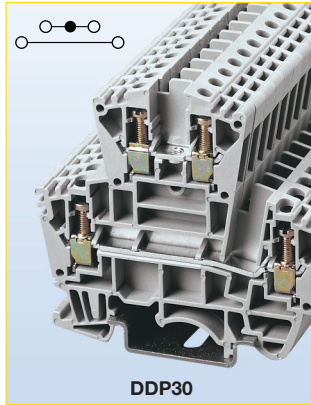
	DRL15MM
--	---------

Connectors



DDP

The DDP30 is a two-tier feed through terminal block for space constrained applications. It has two independent circuits, IEC60947-7 and UL1059 compliant. Marking system, side insertion bridge and top screw-on bridge are standard.



DDP30

Approval		
Technical Data		
Rated voltage	300V	400V
Rated current	30A	32A
Conductor cross-section, solid (AWG/mm ²)	22~10 / 0.5~4	
Conductor cross-section, flexible (AWG/mm ²)	22~10 / 0.5~4	
Rated impulse withstand voltage	6kV	
Torque(N•m)	0.5	
Torque(lb-in)	4.4	
Screw	M2.5	
Wire strip length(mm)	6	
WxHxD(mm)	6.1 x 62.8 x 69.4	

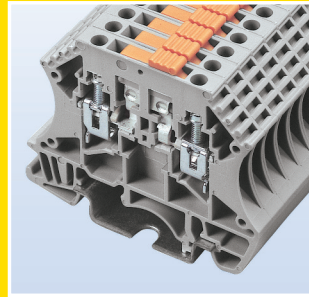
Colors	Cat. No.
● Grey	DDP30-GY

Accessories	Cat. No.
● Grey	DDP30-GY-ND

2-pole	N/A
3-pole	N/A
4-pole	N/A
10-pole	N/A
2-pole	CSC-402P
3-pole	CSC-403P
4-pole	CSC-404P
10-pole	CSC-410P
2-pole	DS4-02P
3-pole	DS4-03P
4-pole	DS4-04P
10-pole	DS4-10P

Marking label	TM21CB
Mounting Rail	DRL32MMG DRL35MMHI DRL35MML0

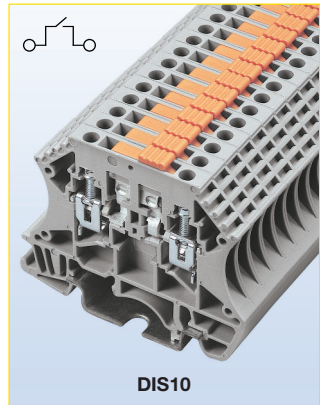
Tool	0.4 x 2.5mm
------	-------------



DIS

The DIS10 is a disconnect* terminal block. Disconnect terminal blocks offer an easy means of circuit disconnect with just a flick of a screwdriver. IEC60947-7 and UL1059 compliant.

* Not for use as a load break disconnect.



DIS10

Approval		
Technical Data		
Rated voltage	300V	800V
Rated current	10A	16A
Conductor cross-section, solid (AWG/mm ²)	26~14 / 0.5~2.5	
Conductor cross-section, flexible (AWG/mm ²)	26~14 / 0.5~2.5	
Rated impulse withstand voltage	6kV	
Torque(N•m)	0.8	
Torque(lb-in)	7.1	
Screw	M3	
Wire strip length(mm)	9~10	
WxHxD(mm)	5.1 x 46.7 x 59	

Colors	Cat. No.
● Grey	DIS10-GY

Accessories	Cat. No.
● Grey	DP25-GY-ND

Small partition	DKSPS-002
-----------------	-----------

2-pole	N/A
3-pole	N/A
4-pole	N/A
10-pole	N/A

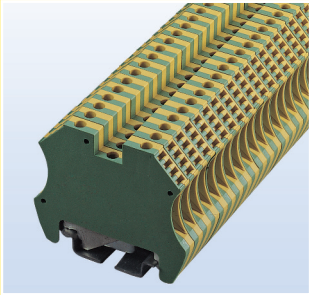
2-pole	CSC-2-502P
3-pole	CSC-2-503P
4-pole	CSC-2-504P
10-pole	CSC-2-510P

2-pole	N/A
3-pole	N/A
4-pole	N/A
10-pole	N/A

Marking label	TM26CB
---------------	--------

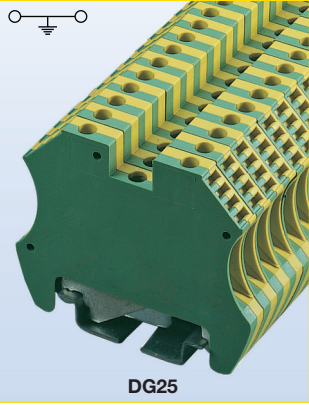
Mounting Rail	DRL32MMG DRL35MMHI DRL35MML0
---------------	------------------------------------

Tool	0.5 x 3mm
------	-----------

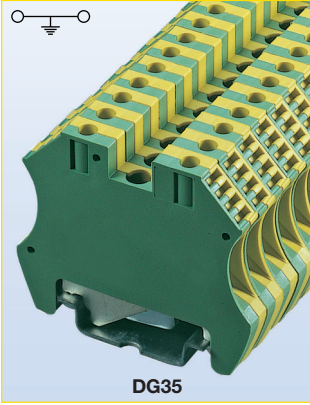


DG

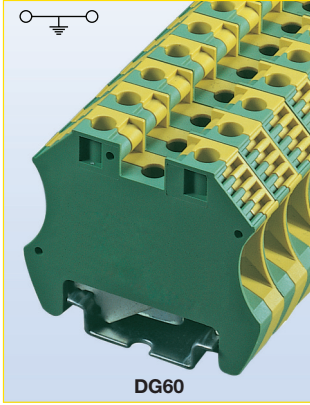
The DG grounding DIN-Rail terminal blocks fit both standard 35mm DIN-Rail and 32mm G-Type rails. Compliant with IEC60947-7 and UL 1059 standards for worldwide acceptance. These have the same general shape as the DP terminal blocks.



Approval		
Technical Data		
Rated voltage	600V	630V
Rated current	24A	
Conductor cross-section, solid (AWG/mm ²)	26-12 / 0.5-2.5	
Conductor cross-section, flexible (AWG/mm ²)	26-12 / 0.5-2.5	
Rated impulse withstand voltage	8kV	
Torque(N•m)	0.8	
Torque(lb-in)	7.1	
Screw	M3	
Wire strip length(mm)	10-14	
WxHxD(mm)	5.7 x 46.4 x 56	
Colors	Cat. No.	
	DG25-YG	



Approval		
Technical Data		
Rated voltage	600V	630V
Rated current	32A	
Conductor cross-section, solid (AWG/mm ²)	26-10 / 0.5-4	
Conductor cross-section, flexible (AWG/mm ²)	26-10 / 0.5-4	
Rated impulse withstand voltage	8kV	
Torque(N•m)	0.8	
Torque(lb-in)	7.1	
Screw	M3	
Wire strip length(mm)	12-16	
WxHxD(mm)	6.6 x 46.4 x 56	
Colors	Cat. No.	
	DG35-YG	



Approval		
Technical Data		
Rated voltage	600V	500V
Rated current	57A	
Conductor cross-section, solid (AWG/mm ²)	16-8 / 1.5-10	
Conductor cross-section, flexible (AWG/mm ²)	16-8 / 1.5-10	
Rated impulse withstand voltage	8kV	
Torque(N•m)	1.8	
Torque(lb-in)	15.9	
Screw	M4	
Wire strip length(mm)	12-16	
WxHxD(mm)	10.4 x 46.4 x 56	
Colors	Cat. No.	
	DG60-YG	

Block



End cover

Partition

Small partition

Top Insertion bridge



Side Insertion bridge



Top Screw-on bridge



Marking label



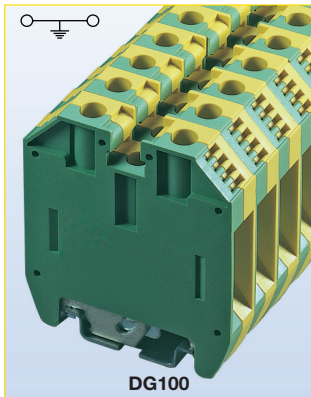
Mounting Rail



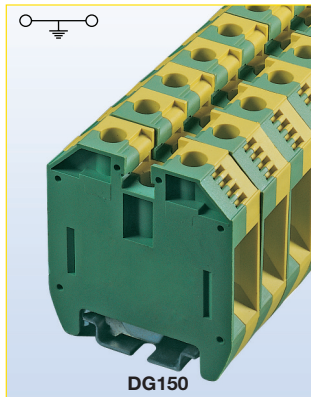
Tool



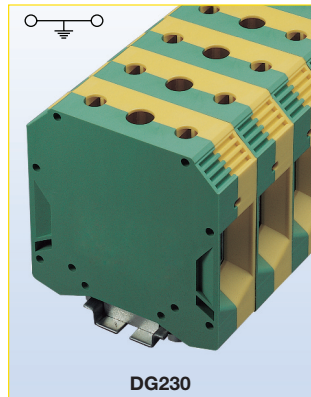
Accessories			Accessories			Accessories		
Cat. No.			Cat. No.			Cat. No.		
2-pole	N/A		2-pole	N/A		2-pole	N/A	
3-pole	N/A		3-pole	N/A		3-pole	N/A	
4-pole	N/A		4-pole	N/A		4-pole	N/A	
10-pole	N/A		10-pole	N/A		10-pole	N/A	
2-pole	N/A		2-pole	N/A		2-pole	N/A	
3-pole	N/A		3-pole	N/A		3-pole	N/A	
4-pole	N/A		4-pole	N/A		4-pole	N/A	
10-pole	N/A		10-pole	N/A		10-pole	N/A	
2-pole	N/A		2-pole	N/A		2-pole	N/A	
3-pole	N/A		3-pole	N/A		3-pole	N/A	
4-pole	N/A		4-pole	N/A		4-pole	N/A	
10-pole	N/A		10-pole	N/A		10-pole	N/A	
TM26CB			TM27CB			TM28CB		
DRL32MMG			DRL32MMG			DRL32MMG		
DRL35MMHI			DRL35MMHI			DRL35MMHI		
DRL35MML0			DRL35MML0			DRL35MML0		
0.5 x 3mm			0.5 x 3mm			0.8 x 4mm		



DG100



DG150



DG230

Approval		
Technical Data	UL	IEC
Rated voltage	600V	1000V
Rated current	76A	
Conductor cross-section, solid (AWG/mm ²)	14~6 / 2.5~16	
Conductor cross-section, flexible (AWG/mm ²)	14~6 / 2.5~16	
Rated impulse withstand voltage	8kV	
Torque(N·m)	3.4	
Torque(lb-in)	30.1	
Screw	M5	
Wire strip length(mm)	14~18	
WxHxD(mm)	12 x 62.4 x 56	
Colors	Cat. No.	
Yellow-Green	DG100-YG	

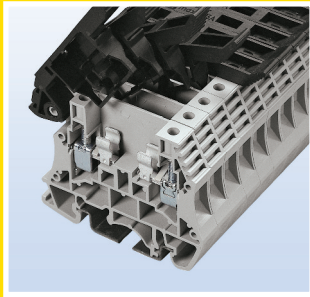
Approval		
Technical Data	UL	IEC
Rated voltage	600V	1000V
Rated current	125A	
Conductor cross-section, solid (AWG/mm ²)	12~2 / 4~35	
Conductor cross-section, flexible (AWG/mm ²)	12~2 / 4~35	
Rated impulse withstand voltage	8kV	
Torque(N·m)	5.6	
Torque(lb-in)	49.6	
Screw	M6	
Wire strip length(mm)	14~18	
WxHxD(mm)	16 x 62.4 x 56	
Colors	Cat. No.	
Yellow-Green	DG150-YG	

Approval		
Technical Data	UL	IEC
Rated voltage	600V	1000V
Rated current	232A	
Conductor cross-section, solid (AWG/mm ²)	2 / 35	
Conductor cross-section, flexible (AWG/mm ²)	2~4/0 / 35~95	
Rated impulse withstand voltage	8kV	
Torque(N·m)	18	
Torque(lb-in)	159.3	
Screw	M8	
Wire strip length(mm)	20~25	
WxHxD(mm)	25 x 82.93 x 80	
Colors	Cat. No.	
Yellow-Green	DG230-YG	

Accessories	Cat. No.
2-pole	N/A
3-pole	N/A
4-pole	N/A
10-pole	N/A
2-pole	N/A
3-pole	N/A
4-pole	N/A
10-pole	N/A
2-pole	N/A
3-pole	N/A
4-pole	N/A
10-pole	N/A
	TM28CB
	DRL32MMG DRL35MMHI DRL35MMLO
	1.0 x 5.5mm

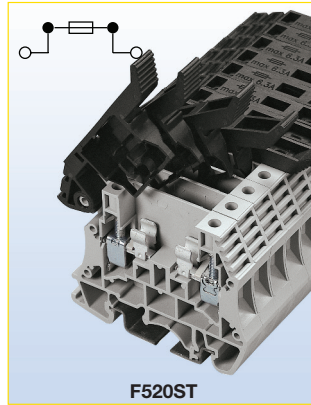
Accessories	Cat. No.
2-pole	N/A
3-pole	N/A
4-pole	N/A
10-pole	N/A
2-pole	N/A
3-pole	N/A
4-pole	N/A
10-pole	N/A
2-pole	N/A
3-pole	N/A
4-pole	N/A
10-pole	N/A
	TM28CB
	DRL32MMG DRL35MMHI DRL35MMLO
	1.0 x 5.5mm

Accessories	Cat. No.
2-pole	N/A
3-pole	N/A
4-pole	N/A
10-pole	N/A
2-pole	N/A
3-pole	N/A
4-pole	N/A
10-pole	N/A
2-pole	N/A
3-pole	N/A
4-pole	N/A
10-pole	N/A
	TM28CB
	DRL32MMG DRL35MMHI DRL35MMLO

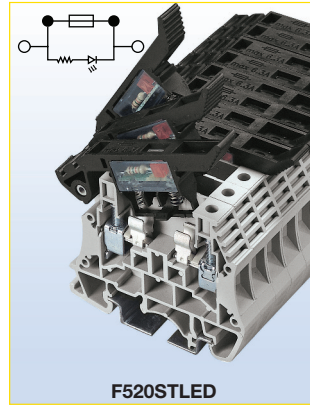


F520

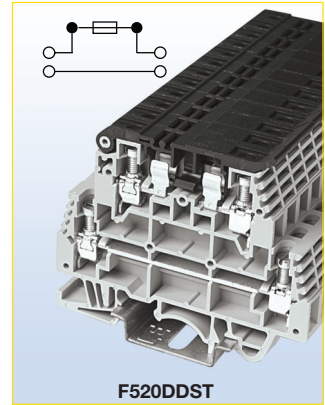
Fuse terminal blocks protect your sensors and relays. Available in lever and screw-cap style, with and without LED indication. Uses standard Bussmann series 5 x 20 mm fuses.



F520ST



F520STLED



F520DDST

Approval		
Technical Data	UL	IEC
Rated voltage	300V	300V
Rated current	6.3A	6.3A
Conductor cross-section, solid (AWG/mm ²)	24~12 / 0.5~4	
Conductor cross-section, flexible (AWG/mm ²)	24~12 / 0.5~4	
Rated impulse withstand voltage	6kV	
Torque(N•m)	0.8	
Torque(lb-in)	7.1	
Screw	M3	
Wire strip length(mm)	10~12	
WxHxD(mm)	8 x 55.7 x 56	

Colors	Cat. No.
● Grey	F520ST-GY

Accessories	Cat. No.
● Grey	F520-GY-ND

2-pole	N/A
3-pole	N/A
4-pole	N/A
10-pole	N/A

2-pole	CSC-602PN
3-pole	CSC-603PN
4-pole	CSC-604PN
10-pole	CSC-610PN

2-pole	N/A
3-pole	N/A
4-pole	N/A
10-pole	N/A

	TM28CB
	DRL32MMG
	DRL35MMHI
	DRL35MMLO

	0.5 x 3mm

Approval		
Technical Data	UL	IEC
Rated voltage	300V	300V
Rated current	6.3A	6.3A
Conductor cross-section, solid (AWG/mm ²)	24~12 / 0.5~4	
Conductor cross-section, flexible (AWG/mm ²)	24~12 / 0.5~4	
Rated impulse withstand voltage	6kV	
Torque(N•m)	0.8	
Torque(lb-in)	7.1	
Screw	M3	
Wire strip length(mm)	10~12	
WxHxD(mm)	8 x 55.7 x 56	

Colors	Voltage	Cat. No.
● Grey	5V	F520STLED5-GY
● Grey	12V	F520STLED12-GY
● Grey	24V	F520STLED24-GY
● Grey	48V	F520STLED48-GY
● Grey	110V	F520STLED110-GY
● Grey	220V	F520STLED220-GY
● Grey	300V	F520STLED300-GY

Accessories	Cat. No.
● Grey End Cover	F520-GY-ND

2-pole	N/A
3-pole	N/A
4-pole	N/A
10-pole	N/A

2-pole	CSC-602PN
3-pole	CSC-603PN
4-pole	CSC-604PN
10-pole	CSC-610PN

2-pole	N/A
3-pole	N/A
4-pole	N/A
10-pole	N/A

	TM28CB
	DRL32MMG
	DRL35MMHI
	DRL35MMLO

	0.5 x 3mm

Approval		
Technical Data	UL	IEC
Rated voltage	300V ¹⁾	300V
Rated current	16A ²⁾ 30A ³⁾	16A ²⁾ 30A ³⁾
Conductor cross-section, solid (AWG/mm ²)	22~10 / 0.5~4	
Conductor cross-section, flexible (AWG/mm ²)	22~10 / 0.5~4	
Rated impulse withstand voltage	6kV	
Torque(N•m)	0.67	
Torque(lb-in)	5.9	
Screw	M3.5	
Wire strip length(mm)	10~12	
WxHxD(mm)	8 x 60.5 x 72.5	

Colors	Cat. No.
● Grey	F520DDST-GY

Accessories	Cat. No.
● Grey	F520DD-GY-ND

2-pole	N/A
3-pole	N/A
4-pole	N/A
10-pole	N/A

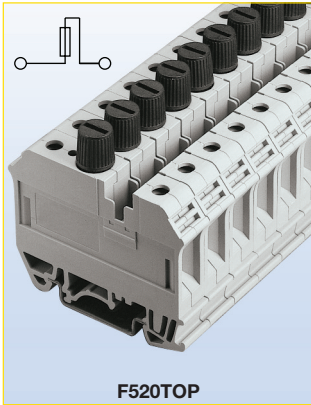
2-pole	N/A
3-pole	N/A
4-pole	N/A
10-pole	N/A

2-pole	N/A
3-pole	N/A
4-pole	N/A
10-pole	N/A

	TM28CB
	DRL32MMG
	DRL35MMHI
	DRL35MMLO

	0.5 x 3mm

- Block
- End cover
- Partition
- Small partition
- Top Insertion bridge
- Side Insertion bridge
- Top Screw-on bridge
- Marking label
- Mounting Rail
- Tool



F520TOP

Approval 

Technical Data	UL	IEC
Rated voltage	600V	660V
Rated current	6.3A	6.3A
Conductor cross-section, solid (AWG/mm ²)	22~6 / 1.5~10	
Conductor cross-section, flexible (AWG/mm ²)	22~6 / 1.5~10	
Rated impulse withstand voltage	6kV	
Torque(N·m)	1.8	
Torque(lb-in)	15.9	
Screw	M4	
Wire strip length(mm)	12~16	
WxHxD(mm)	12 x 47.2 x 61.6	

Colors	Cat. No.
● Grey	F520TOP-GY

Accessories Cat. No.

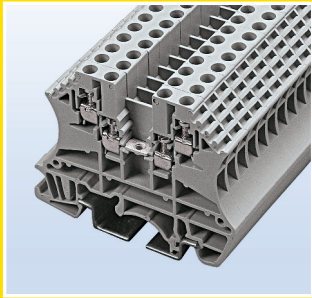
2-pole	N/A
3-pole	N/A
4-pole	N/A
10-pole	N/A
2-pole	N/A
3-pole	N/A
4-pole	N/A
10-pole	N/A
2-pole	N/A
3-pole	N/A
4-pole	N/A
10-pole	N/A

TM20CB

DRL32MMG
DRL35MMHI
DRL35MMLLO

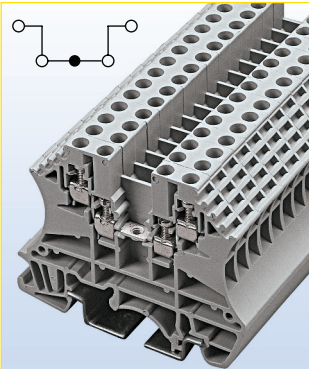
0.6 x 3.5mm





DDNS

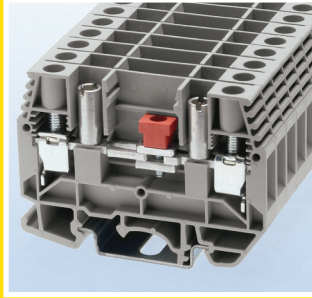
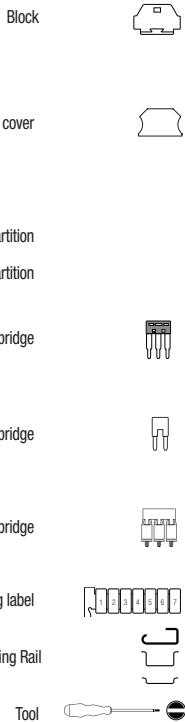
The DDNS10 is an internally jumpered terminal block. Internally jumpered double-level terminal blocks provide high-density power distribution in 3-in/1-out or 2-in/2-out or 1-in/3-out options with a single block. Add top and side insertion bridges to achieve any connection topology. IEC60947-7 and UL1059 compliant.



DDNS10

Approval		
Technical Data		
Rated voltage	300V	630V
Rated current	10A	17.5A
Conductor cross-section, solid (AWG/mm ²)	22~14 / 0.5~1.5	
Conductor cross-section, flexible (AWG/mm ²)	22~14 / 0.5~1.5	
Rated impulse withstand voltage	8kV	
Torque(N•m)	0.4	
Torque(lb-in)	3.5	
Screw	M2.5	
Wire strip length(mm)	6~7	
WxHxD(mm)	5.1 x 46.8 x 58.9	
Colors	Cat. No.	
● Grey	DDNS10-GY	

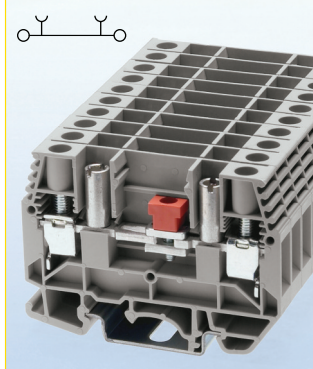
Accessories		
Cat. No.		
● Grey	DDNS10-GY-ND	
2-pole	N/A	
3-pole	N/A	
4-pole	N/A	
10-pole	N/A	
2-pole	CSC-2-502P	
3-pole	CSC-2-503P	
4-pole	CSC-2-504P	
10-pole	CSC-2-510P	
2-pole	DS2-5-02P	
3-pole	DS2-5-03P	
4-pole	DS2-5-04P	
10-pole	DS2-5-10P	
	TM26CB	
	DRL32MMG	
	DRL35MMHI	
	DRL35MML0	
	0.4 x 2.5mm	



DTST2

Test terminal blocks

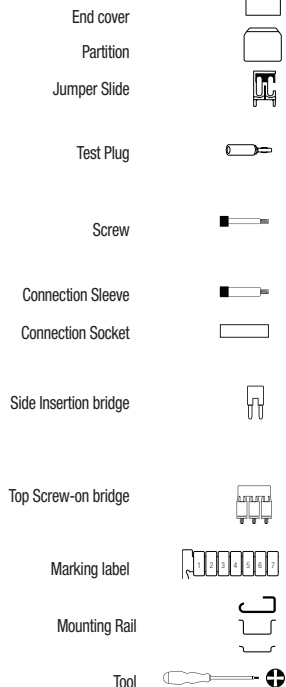
Test terminal blocks with convenient test sockets, plugs, jumpers and accessories to make your circuit troubleshooting easy.

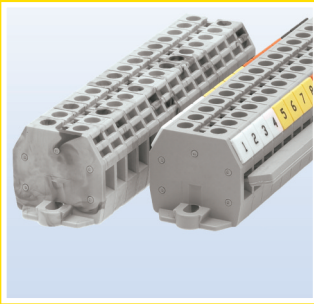


DTST2

Approval		
Technical Data		
Rated voltage	300V/600V	660V
Rated current	48A/5A	41A
Conductor cross-section, solid (AWG/mm ²)	20~8 / 0.5~6	
Conductor cross-section, flexible (AWG/mm ²)	20~8 / 0.5~6	
Rated impulse withstand voltage	6kV	
Torque(N•m)	2	
Torque(lb-in)	17.7	
Screw	M4	
Wire strip length(mm)	8	
WxHxD(mm)	8 x 65.6 x 47.5	
Colors	Cat. No.	
● Grey	DTST2-GY	

Accessories		
Cat. No.		
● Grey	DTST-GY-ND	
	DKSPS-006	
2-pole	DS6A02	
3-pole	DS6A03	
	C002-0101-BK	
	C002-0101-RD	
	DS6S1-BK	
	DS6S1-OR	
	DS6S1-YW	
	DS6S1-RD	
	C002-0201	
	C002-0301	
2-pole	CSC-602P	
3-pole	CSC-603P	
4-pole	CSC-604P	
10-pole	CSC-610P	
2-pole	DS6-02P	
3-pole	DS6-03P	
4-pole	DS6-04P	
10-pole	DS6-10P	
	TM28CB	
	DRL32MMG	
	DRL35MMHI	
	DRL35MML0	
	0.6 x 3.5mm	





Panel mount

Flexible alternative to barrier strips with screw and spring-clamp wiring connections for feed through and one-to-two power distribution. Use side insertion bridge to achieve any connection topology.

Block



End cover



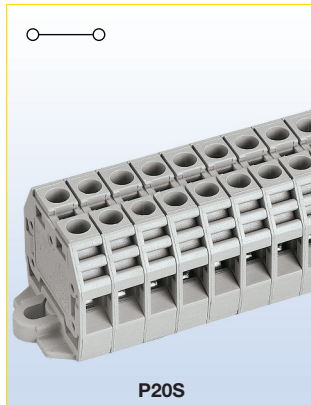
Side Insertion bridge



Marking label



Tool



P20S

Approval		
Technical Data	UL	IEC
Rated voltage	300V	500V
Rated current	20A	24A
Conductor cross-section, solid (AWG/mm ²)	22~12 / 0.5~2.5	
Conductor cross-section, flexible (AWG/mm ²)	22~12 / 0.5~2.5	
Rated impulse withstand voltage	7kV	
Torque(N•m)	0.39	
Torque(lb-in)	3.5	
Screw	M2.5	
Wire strip length(mm)	6~8	
WxHxD(mm)	5.1 x 20 x 22	

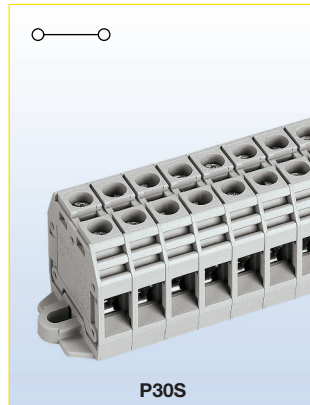
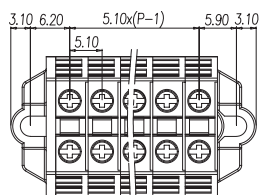
Colors	Cat. No.
● Grey	P20S-GY-01

Accessories	Cat. No.
● Grey	P20S-GY-ND

2-pole	CSC-2-502PS
3-pole	CSC-2-503PS
4-pole	CSC-2-504PS
10-pole	CSC-2-510PS

	TM20CB
--	--------

Dimensions - mm



P30S

Approval		
Technical Data	UL	IEC
Rated voltage	300V	500V
Rated current	30A	32A
Conductor cross-section, solid (AWG/mm ²)	22~10 / 0.5~4	
Conductor cross-section, flexible (AWG/mm ²)	22~10 / 0.5~4	
Rated impulse withstand voltage	7kV	
Torque(N•m)	0.49	
Torque(lb-in)	4.3	
Screw	M3	
Wire strip length(mm)	6~8	
WxHxD(mm)	6.1 x 22 x 23	

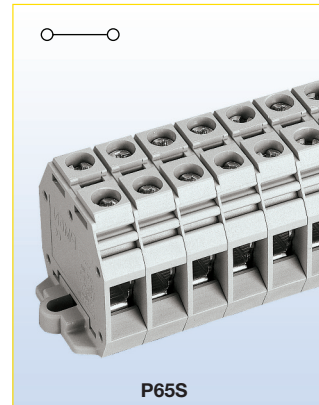
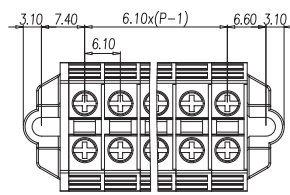
Colors	Cat. No.
● Grey	P30S-GY-01

Accessories	Cat. No.
● Grey	P30S-GY-ND

2-pole	CSC-402PS
3-pole	CSC-403PS
4-pole	CSC-404PS
10-pole	CSC-410PS

	TM21CB
--	--------

Dimensions - mm



P65S

Approval		
Technical Data	UL	IEC
Rated voltage	300V	500V
Rated current	65A	41A
Conductor cross-section, solid (AWG/mm ²)	20~6 / 1.5~10	
Conductor cross-section, flexible (AWG/mm ²)	20~6 / 1.5~10	
Rated impulse withstand voltage	8kV	
Torque(N•m)	1.18	
Torque(lb-in)	10.4	
Screw	M4	
Wire strip length(mm)	9~11	
WxHxD(mm)	8 x 29.8 x 30	

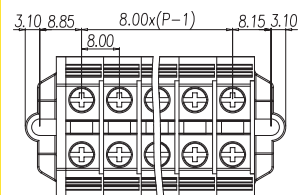
Colors	Cat. No.
● Grey	P65S-GY-01

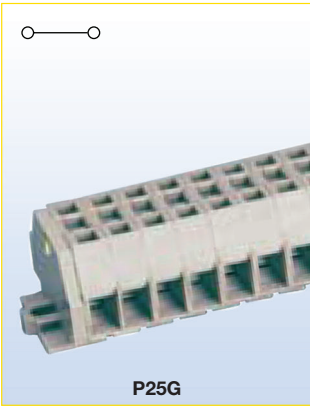
Accessories	Cat. No.
● Grey	P65S-GY-ND

2-pole	CSC-602PS
3-pole	CSC-603PS
4-pole	CSC-604PS
10-pole	CSC-610PS

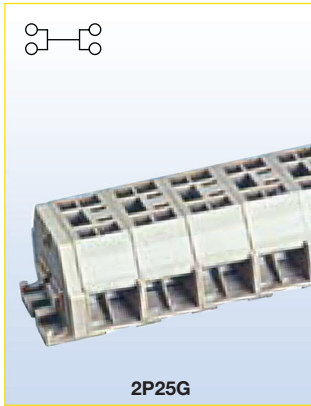
	TM22CB
--	--------

Dimensions - mm





P25G



2P25G

Approval		
Technical Data	UL	IEC
Rated voltage	600V	660V
Rated current	25A	24A
Conductor cross-section, solid (AWG/mm ²)	28~12 / 0.5~2.5	
Conductor cross-section, flexible (AWG/mm ²)	14~12 / 0.5~2.5	
Rated impulse withstand voltage	8kV	
Torque(N·m)	Spring Clamp	
Torque(lb-in)	Spring Clamp	
Screw	N/A	
Wire strip length(mm)	7~8	
WxHxD(mm)	6 x 28 x 18	
Colors Cat. No.		
● Grey	P25G-GY-01	
Accessories Cat. No.		
● Grey	P25G-GY-ND	
2-pole	DS-204	
3-pole	N/A	
4-pole	N/A	
10-pole	N/A	
	TM20CB	
	0.4 x 2.5mm	

Approval		
Technical Data	UL	IEC
Rated voltage	600V	660V
Rated current	25A	24A
Conductor cross-section, solid (AWG/mm ²)	28~12 / 0.5~2.5	
Conductor cross-section, flexible (AWG/mm ²)	14~12 / 0.5~2.5	
Rated impulse withstand voltage	8kV	
Torque(N·m)	Spring Clamp	
Torque(lb-in)	Spring Clamp	
Screw	N/A	
Wire strip length(mm)	7~8	
WxHxD(mm)	10 x 28 x 18	
Colors Cat. No.		
● Grey	2P25G-GY-01	
Accessories Cat. No.		
● Grey	P25G-GY-ND	
2-pole	DS-204	
3-pole	N/A	
4-pole	N/A	
10-pole	N/A	
	TM20CB	
	0.4 x 2.5mm	

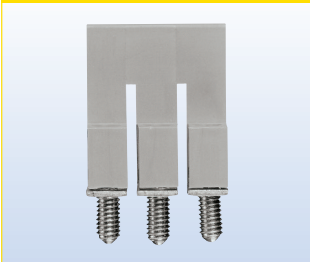
Connectors

Description	Part number*	Volts	Amps	Wire range for SCCR	SCCR level	RK5	Fuse Class				
							RK1	J/CF	T	G	CC
Terminal block	DS20-XX	600	20	12-14	100kA	–	30	60	60	60	30
Terminal block	DS30-XX	600	30	10-18	100kA	–	30	60	60	60	30
Terminal block	DS50-XX	600	50	8 - 18	100kA	–	30	60	60	60	30
Terminal block	DM20-XX	300	20	12 - 16	100kA	–	30	60	60	60	30
Terminal block	DM30-XX	300	30	10 - 16	100kA	–	30	60	60	60	30
Terminal block	DM50-XX	300	50	8 - 16	100kA	–	30	60	60	60	30
Terminal block	DP25-XX	600	25	12 - 18	100kA	–	30	60	60	60	30
Terminal block	DP35-XX	600	35	10 - 18	100kA	–	30	60	60	60	30
Terminal block	DP45-XX	600	45	8 - 18	100kA	–	30	60	60	60	30
Terminal block	DP60-XX	600	60	6 - 18	100kA	–	30	60	60	60	30
Terminal block	DP100-XX	600	100	14-3	200kA	30	60	100	100	60	30
Terminal block	DP150-XX	600	150	1/0 - 12	100kA	30	100	200	200	60	30
Terminal block	DP230-XX	600	230	2-4/0	200kA	60	100	200	200	60	30
Terminal block	DP370-XX	600	370	300 - 500kcmil	200kA	100	200	400	400	60	30
Grounding block	DG25-XX	600	–	12 - 18	100kA	–	30	60	60	60	30
Grounding block	DG35-XX	600	–	10 - 16	100kA	30	30	60	60	60	30
Grounding block	DG60-XX	600	–	16-8	200kA	30	60	100	100	60	30
Grounding block	DG100-XX	600	–	14-6	200kA	–	60	100	100	60	30
Grounding block	DG150-XX	600	–	12-2	200kA	30	60	100	100	60	30
Grounding block	DG230-XX	600	–	2-4/0	200kA	30	60	100	100	60	30
Terminal block	DDP30-XX (upper)	300	30	10 - 18	100kA	–	30	60	60	60	30
Terminal block	DDP30-XX (lower)	300	30	10 - 18	100kA	–	30	60	60	60	30
Terminal block	DDNS10-XX	300	10	16 - 18	100kA	–	30	60	60	60	30
Terminal block	DIS10-XX	300	10	16 - 16	100kA	–	30	60	60	60	30
Fuse terminal block	F520ST-XX	300	6.3	18 - 18	100kA	–	30	60	60	60	30
Fuse terminal block	F520STLED-XX	300	6.3	18 - 18	100kA	–	30	60	60	60	30
Fuse terminal block	F520DDST-XX (upper)	300	16	10 - 18	100kA	–	30	60	60	60	30
Fuse terminal block	F520DDST-XX (lower)	300	30	10 - 18	100kA	–	30	60	60	60	30
Fuse terminal block	F520TOP-XX	600	6.3	6 - 18	100kA	–	30	60	60	60	30
Terminal block	DTST2-XX	300/600	48/5	8 - 20	100kA	–	30	60	60	60	30
Terminal block	P20S-XX	300	20	12 - 16	100kA	–	30	60	60	60	30
Terminal block	P30S-XX	300	30	10 - 16	100kA	–	30	60	60	60	30
Terminal block	P65S-XX	300	65	6 - 16	100kA	–	30	60	60	60	30
Terminal block	P25G-XX	600	25	12 - 14	100kA	–	30	60	60	60	30
Terminal block	2P25G-XX	600	25	12 - 14	100kA	–	30	60	60	60	30

* The "XX" in part number indicates color.

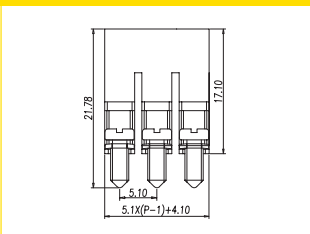
Top screw-on bridges

DS2-5-XXP



Use with DP25 DG25
DDNS10
Poles (XX) 02, 03, 04, 10

Dimensions - mm

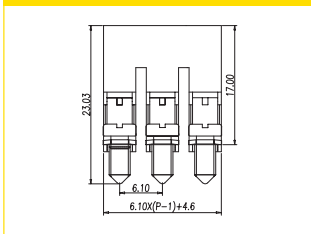


DS4-XXP



Use with DP35 DDP30
Poles (XX) 02, 03, 04, 10

Dimensions - mm

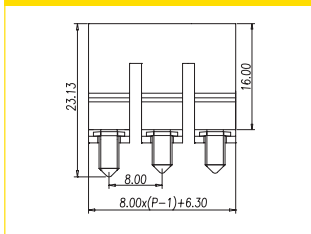


DS6-XXP

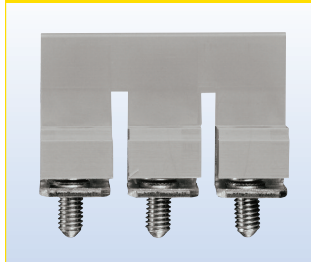


Use with DP45 DTST2
Poles (XX) 02, 03, 04, 10

Dimensions - mm

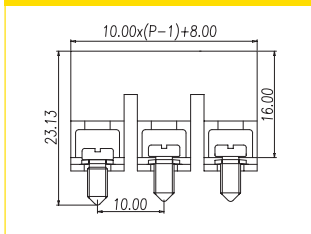


DS10-XXP

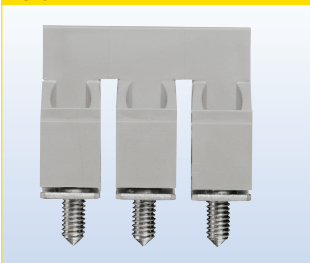


Use with DP60
Poles (XX) 02, 03, 04, 10

Dimensions - mm

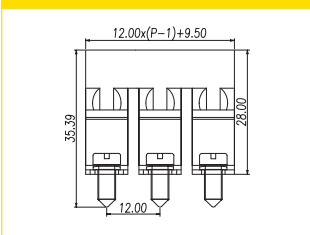


DS16 - XXP



Use with DP100
Poles (XX) 02, 03, 04, 10

Dimensions - mm

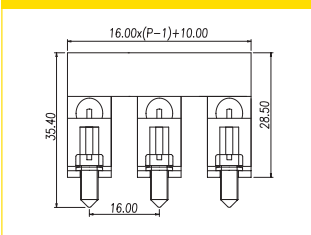


DS35 - XXP

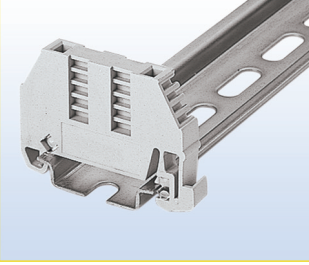


Use with DP150
Poles (XX) 02, 03, 04, 10

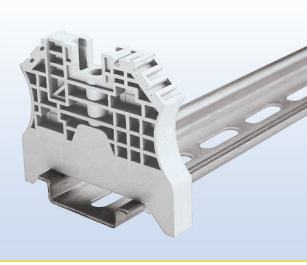
Dimensions - mm



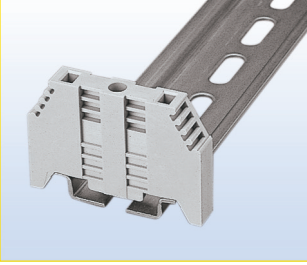
End brackets

BRKT-ND


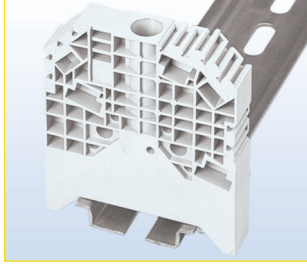
Use with	DRL35MMHI DRL35MMLO
Torque(N•m)	N/A
Torque(lb-in)	N/A
Screw	N/A

BRKT-NDSCRW


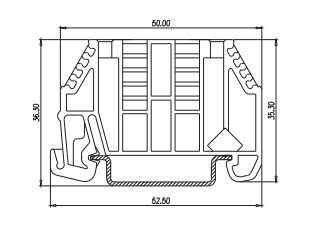
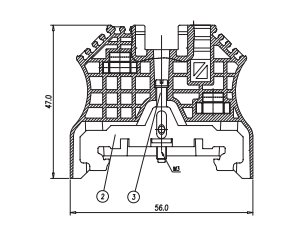
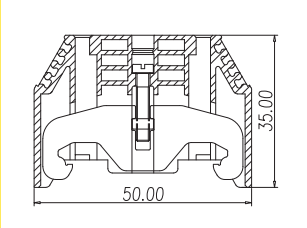
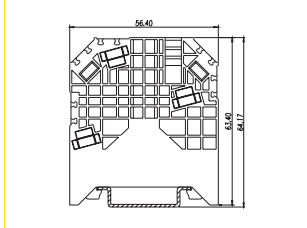
Use with	DRL35MMHI DRL35MMLO
Torque(N•m)	0.5
Torque(lb-in)	4.4
Screw	M3

BRKT-NDSCRW2


Use with	DRL35MMHI DRL35MMLO
Torque(N•m)	0.78
Torque(lb-in)	6.9
Screw	M3

BRKT-NDSCRW3


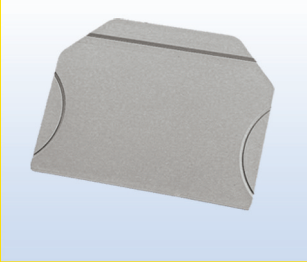
Use with	DRL35MMHI DRL35MMLO
Torque(N•m)	1.8
Torque(lb-in)	15.9
Screw	M4

Dimensions - mm

Dimensions - mm

Dimensions - mm

Dimensions - mm


Partition plates

DKSPS-001


Use with	DP25 DP35 DP45 DP60
----------	------------------------

DKSPS-002


Use with	DP25 DP35 DP45 DP60 DIS10
----------	---------------------------------

DKSPS-006


Use with	DTST2
----------	-------

DKNSPS-001


Use with	DS20 DS30
----------	-----------

DKNSPS-002


Use with	DS50
----------	------

DKNSPS-003

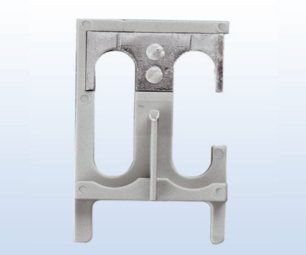

Use with	DP100
----------	-------

DKNSPS-004


Use with	DP150
----------	-------

Jumper slides

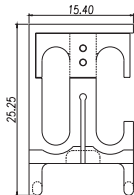
DS6A02



Use with DTST2

Poles 02

Dimensions - mm



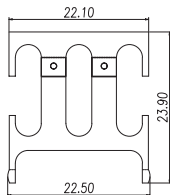
DS6A03



Use with DTST2

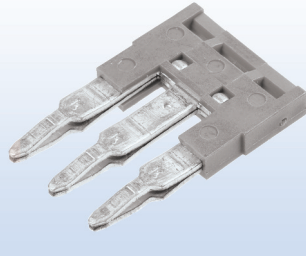
Poles 03

Dimensions - mm



Top insertion bridges

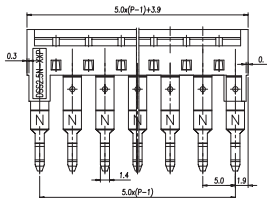
DSS2-5N-XXP



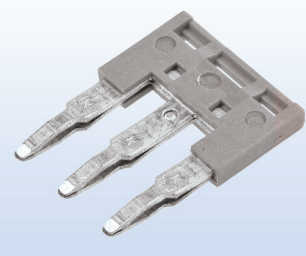
Use with DS20

Poles (XX) 02, 03, 04, 10

Dimensions - mm



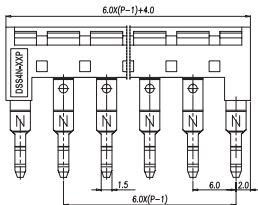
DSS4N-XXP



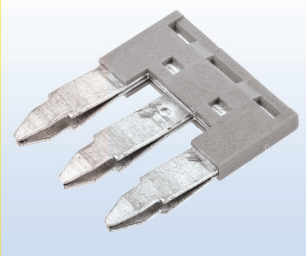
Use with DS30

Poles (XX) 02, 03, 04, 10

Dimensions - mm



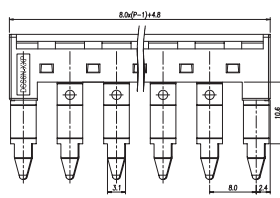
DSS6N-XXP



Use with DS50

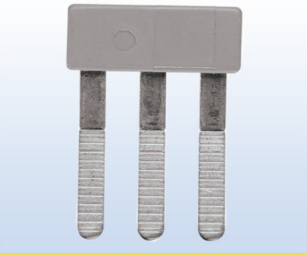
Poles (XX) 02, 03, 04, 10

Dimensions - mm



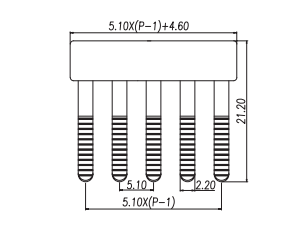
Side insertion bridges

CSC-2-5XXP



Use with DP25
DIS10 P20S
DDNS10
Poles (XX) 02, 03, 04, 10

Dimensions - mm

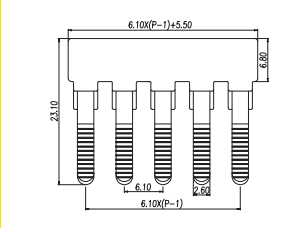


CSC-4XXP



Use with DP35
DDP30
Poles (XX) 02, 03, 04, 10

Dimensions - mm

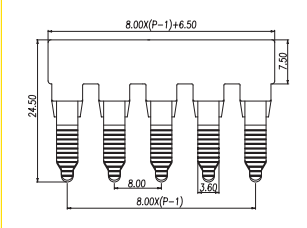


CSC-6XXP

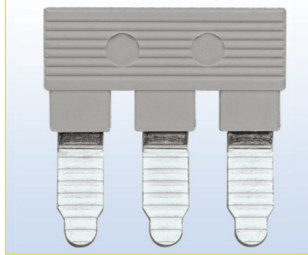


Use with DTST2 DP45
Poles (XX) 02, 03, 04, 10

Dimensions - mm

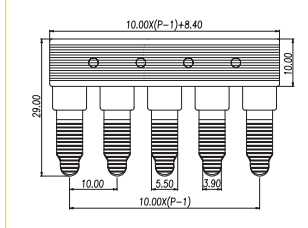


CSC-10XXP

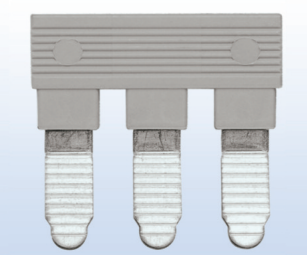


Use with DP60
Poles (XX) 02, 03, 04, 10

Dimensions - mm

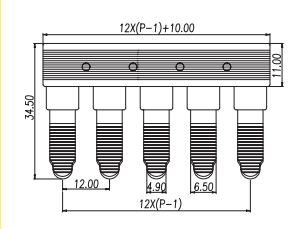


CSC-16XXP

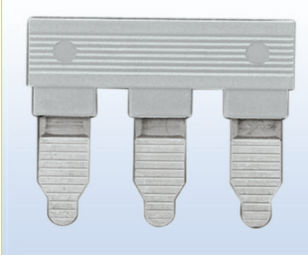


Use with DP100
Poles (XX) 02, 03, 04, 10

Dimensions - mm

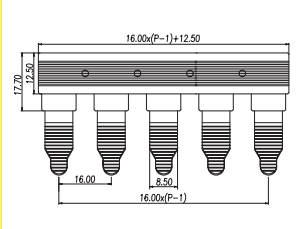


CSC-35XXP



Use with DP150
Poles (XX) 02, 03, 04, 10

Dimensions - mm

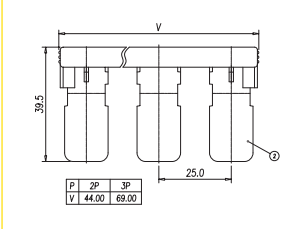


CSC-95XXP

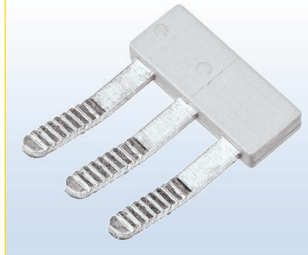


Use with DP230
Poles (XX) 02, 03, 04, 10

Dimensions - mm

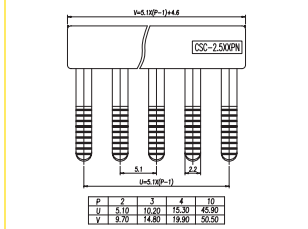


CSC-2-5XXPN



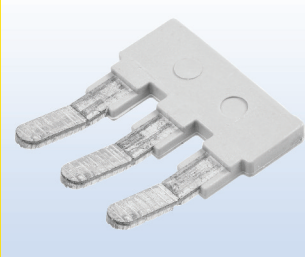
Use with DS20
Poles (XX) 02, 03, 04, 10

Dimensions - mm



Side insertion bridges

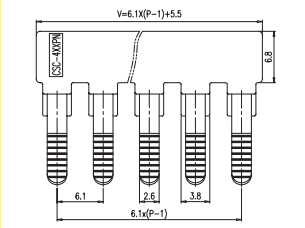
CSC-4XXPN



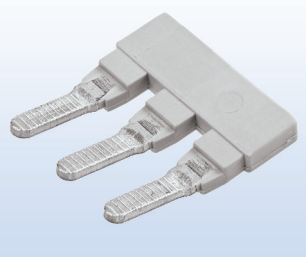
Use with DS30

Poles (XX) 02, 03, 04, 10

Dimensions - mm



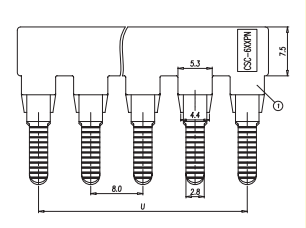
CSC-6XXPN



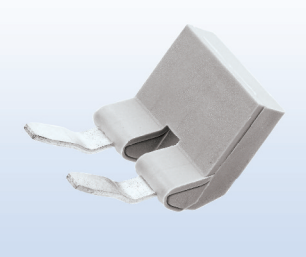
Use with DS50

Poles (XX) 02, 03, 04, 10

Dimensions - mm



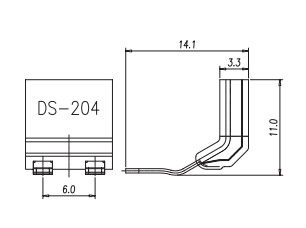
DS-204



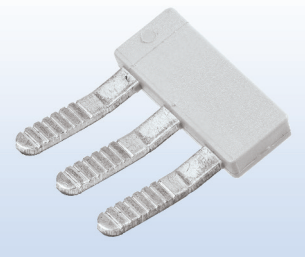
Use with P25G
2P25G

Poles 02

Dimensions - mm



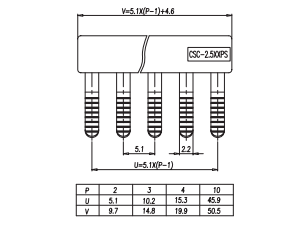
CSC-2-5XXPS



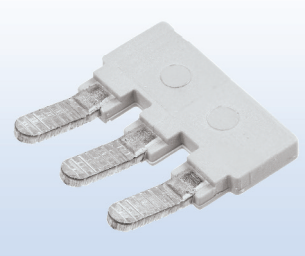
Use with DM20
P20S

Poles (XX) 02, 03, 04, 10

Dimensions - mm



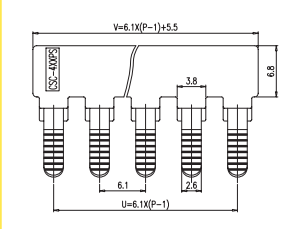
CSC-4XXPS



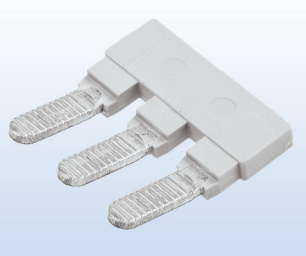
Use with DM30
P30S

Poles (XX) 02, 03, 04, 10

Dimensions - mm



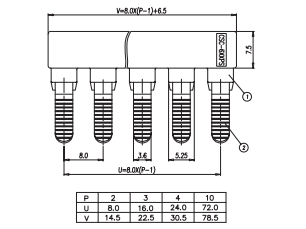
CSC-6XXPS



Use with DM50
P65S

Poles (XX) 02, 03, 04, 10

Dimensions - mm



Mounting rails and brackets

DRL15MM*
(15mm DIN-Rail)



DRL32MMG*
(32mm G-Type)



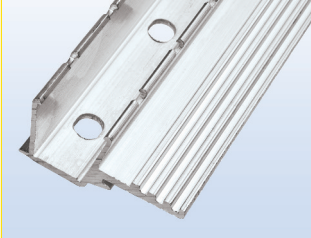
DRL35MML0*
(35mm DIN-Rail - Low Profile)



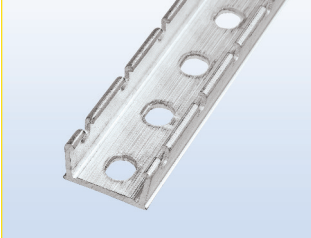
DRL35MMHI*
(35mm DIN-Rail - High Profile)



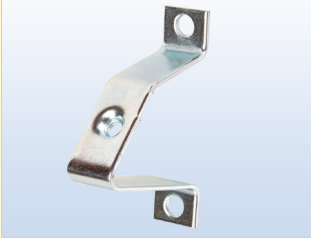
NFTA Series**
(C-Rail)



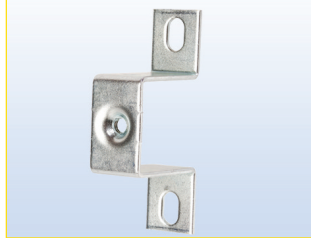
NRA Series**
(C-Rail)



BRKT-ANGL
(Angle Bracket)



BRKT-FLT
(Flat Bracket)



*Available in 1 meter lengths only.

**Cut to length. Consult Eaton's Bussmann Division for details.

DPLT-001SET
Plotter set**DPLT-SPLT**
Support plate**PLOTTER PENS**DPLT-PEN (Tip 0.25mm)
DPLT-PEN2 (Tip 0.35mm)**Description**

- Pen is installed manually
- USB interface to PC
- 110-240Vac power supply
- WINDOWS® Operation System

System kit Includes:

- Plotter pens
- Support plate
- Software
- Plotter
- Power supplies
- USB Cable

Description

Support plate adjustable to accommodate various sizes of marking labels. The support plate is universal and suitable for TM2xCB marking label series.

Each plotter set includes one support plate, additional plates are available separately.

Description

Disposable black ink cartridge pen.
Single pen per pack.

Marking label selection chart

Part number	Length (mm)	Width (mm)	Line x row	Number of tags	Applicable block part numbers
TM20CB	5.8	5.1	20 x 10	200	F20TOP, DM20, P20S, P25G, 2P25G
TM21CB	5.8	6.1	20 x 10	200	DDP30, DM30, P30S
TM22CB	5.8	8.0	20 x 8	160	DM50, P65S
TM26CB	12	5.1	12 x 12	144	DS20, DP25, DG25, DDNS10, DIS10
TM27CB	12	6.1	12 x 10	120	DS30, DP35, DG35
TM28CB	12	8.0	12 x 7	84	DS50, DP45, DP60, DP100, DP150, DP230, DG60, DG100, DG150, DG230, F520ST, F520STLED, F520DDST, DTST2

Example: TM20CB–DH01, horizontal marking – L1, L2, L3, N, PE

TM20CB - mm



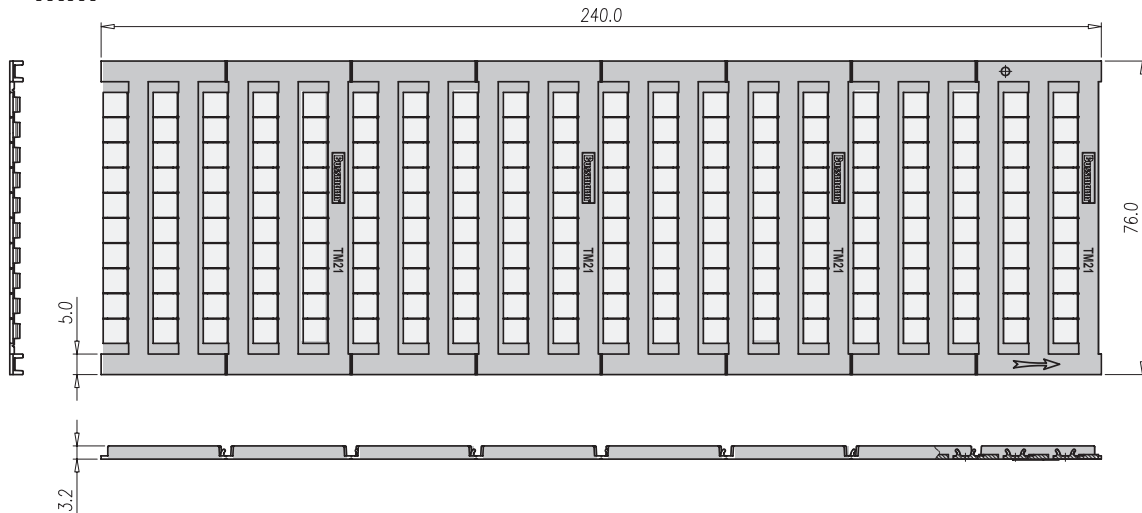
TM20CB

Part numbers	Descriptions
TM20CB	Marking label, blank
TM20CB-DH01	Marking label, horizontal, (L1,L2,L3,N,PE) repeated 40 times
TM20CB-DH02	Marking label, horizontal, (L1,L2,L3,N) repeated 40 times
TM20CB-FH01	Marking label, horizontal, 1 to 10, repeated in 20 lines
TM20CB-FH0	Marking label, horizontal, 11 to 20, repeated in 20 lines
TM20CB-FH03	Marking label, horizontal, 21 to 30, repeated in 20 lines
TM20CB-FH04	Marking label, horizontal, 31 to 40, repeated in 20 lines
TM20CB-FH05	Marking label, horizontal, 41 to 50, repeated in 20 lines
TM20CB-EH01	Marking label, horizontal, 1 to 50, repeated in 4 sets
TM20CB-EH02	Marking label, horizontal, 51 to 100, repeated in 4 sets
TM20CB-DV01	Marking label, vertical, (L1,L2,L3,N,PE) repeated 40 times
TM20CB-DV02	Marking label, vertical, (L1,L2,L3,N) repeated 40 times
TM20CB-FV01	Marking label, vertical, 1 to 10, repeated in 20 lines
TM20CB-FV02	Marking label, vertical, 11 to 20, repeated in 20 lines
TM20CB-EV01	Marking label, vertical, 1 to 50, repeated in 4 sets

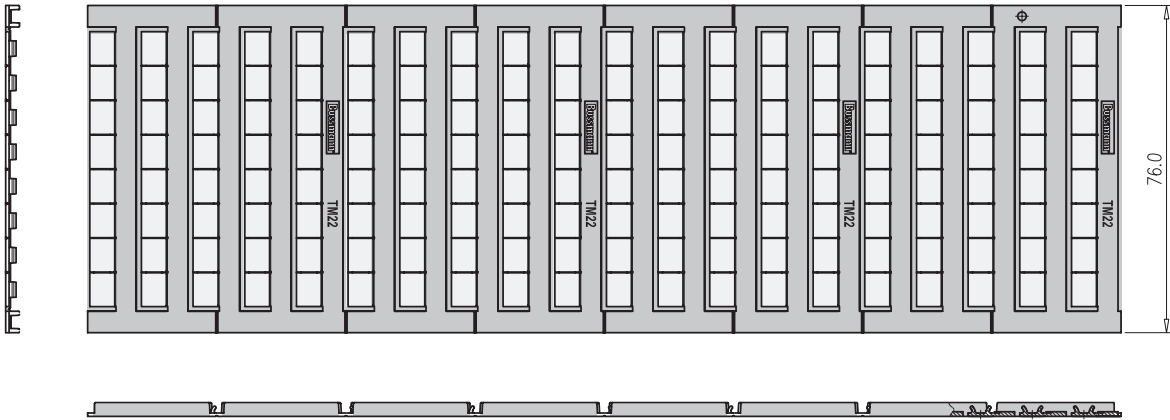
TM21CB

Part numbers	Descriptions
TM21CB	Marking label, blank
TM21CB-DH01	Marking label, horizontal, (L1,L2,L3,N,PE) repeated 40 times
TM21CB-DH02	Marking label, horizontal, (L1,L2,L3,N) repeated 40 times
TM21CB-FH01	Marking label, horizontal, 1 to 10, repeated in 20 lines
TM21CB-FH02	Marking label, horizontal, 11 to 20, repeated in 20 lines
TM21CB-FH03	Marking label, horizontal, 21 to 30, repeated in 20 lines
TM21CB-FH04	Marking label, horizontal, 31 to 40, repeated in 20 lines
TM21CB-FH05	Marking label, horizontal, 41 to 50, repeated in 20 lines
TM21CB-EH01	Marking label, horizontal, 1 to 50, repeated in 4 sets
TM21CB-EH02	Marking label, horizontal, 51 to 100, repeated in 4 sets
TM21CB-DV01	Marking label, vertical, (L1,L2,L3,N,PE) repeated 40 times
TM21CB-DV02	Marking label, vertical, (L1,L2,L3,N) repeated 40 times
TM21CB-FV01	Marking label, vertical, 1 to 10, repeated in 20 lines
TM21CB-FV02	Marking label, vertical, 11 to 20, repeated in 20 lines
TM21CB-EV01	Marking label, vertical, 1 to 50, repeated in 4 sets

TM21CB - mm



TM22CB - mm



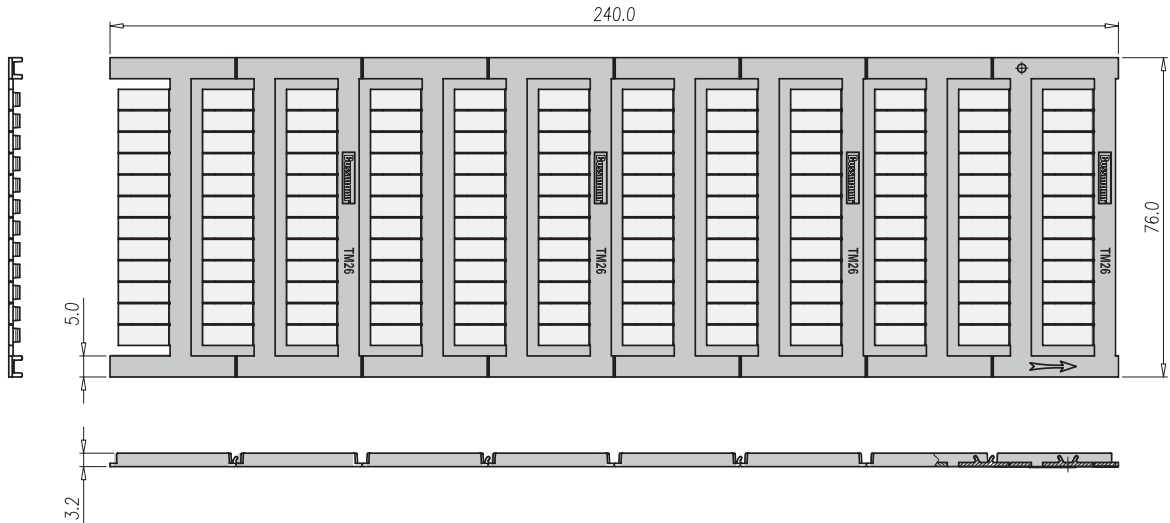
TM22CB

Part numbers	Descriptions
TM22CB	Marking label, blank
TM22CB-DH01	Marking label, horizontal, (L1,L2,L3,N,PE) repeated 30 times
TM22CB-DH02	Marking label, horizontal, (L1,L2,L3,N) repeated 40 times
TM22CB-FH01	Marking label, horizontal, 1 to 10, repeated in 16 lines
TM22CB-FH02	Marking label, horizontal, 11 to 20, repeated in 16 lines
TM22CB-FH03	Marking label, horizontal, 21 to 30, repeated in 16 lines
TM22CB-FH04	Marking label, horizontal, 31 to 40, repeated in 16 lines
TM22CB-FH05	Marking label, horizontal, 41 to 50, repeated in 16 lines
TM22CB-EH01	Marking label, horizontal, 1 to 50, repeated in 3 sets
TM22CB-EH02	Marking label, horizontal, 51 to 100, repeated in 3 sets
TM22CB-DV01	Marking label, vertical, (L1,L2,L3,N,PE) repeated 30 times
TM22CB-DV02	Marking label, vertical, (L1,L2,L3,N) repeated 40 times
TM22CB-FV01	Marking label, vertical, 1 to 10, repeated in 16 lines
TM22CB-FV02	Marking label, vertical, 11 to 20, repeated in 16 lines
TM22CB-EV01	Marking label, vertical, 1 to 50, repeated in 3 sets

TM26CB

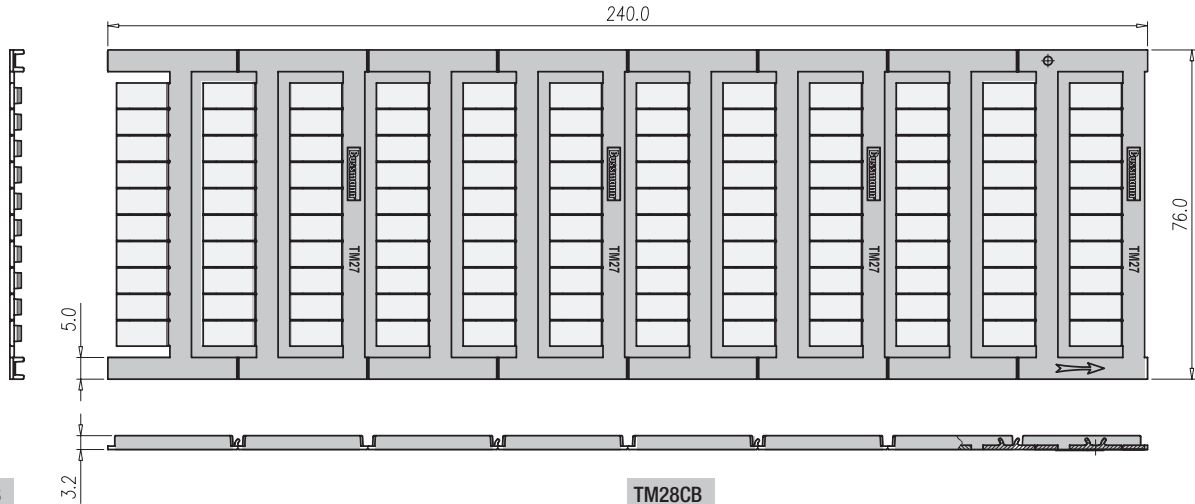
Part Numbers	Descriptions
TM26CB	Marking label, blank
TM26CB-DH01	Marking label, horizontal, (L1,L2,L3,N,PE) repeated 24 times
TM26CB-DH02	Marking label, horizontal, (L1,L2,L3,N) repeated 36 times
TM26CB-FH01	Marking label, horizontal, 1 to 10, repeated in 12 lines
TM26CB-FH02	Marking label, horizontal, 11 to 20, repeated in 12 lines
TM26CB-FH03	Marking label, horizontal, 21 to 30, repeated in 12 lines
TM26CB-FH04	Marking label, horizontal, 31 to 40, repeated in 12 lines
TM26CB-FH05	Marking label, horizontal, 41 to 50, repeated in 12 lines
TM26CB-EH01	Marking label, horizontal, 1 to 50, repeated in 2 sets
TM26CB-EH02	Marking label, horizontal, 51 to 100, repeated in 2 sets
TM26CB-DV01	Marking label, vertical, (L1,L2,L3,N,PE) repeated 24 times
TM26CB-DV02	Marking label, vertical, (L1,L2,L3,N) repeated 36 times
TM26CB-FV01	Marking label, vertical, 1 to 10, repeated in 12 lines
TM26CB-FV02	Marking label, vertical, 11 to 20, repeated in 12 lines
TM26CB-EV01	Marking label, vertical, 1 to 50, repeated in 2 sets

TM26CB - mm



Connectors

TM27CB - mm



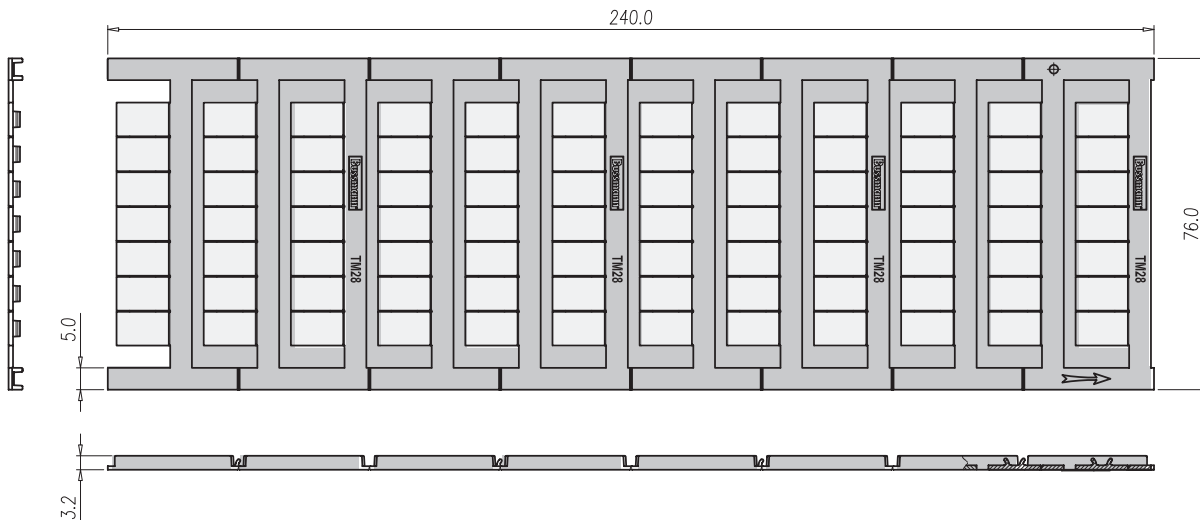
TM27CB

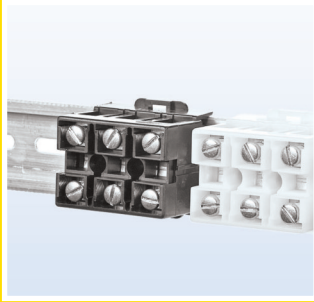
Part numbers	Descriptions
TM27CB	Marking label, blank
TM27CB-DH01	Marking label, horizontal, (L1,L2,L3,N,PE) repeated 40 times
TM27CB-DH02	Marking label, horizontal, (L1,L2,L3,N) repeated 24 times
TM27CB-FH01	Marking label, horizontal, 1 to 10, repeated in 12 lines
TM27CB-FH02	Marking label, horizontal, 11 to 20, repeated in 12 lines
TM27CB-FH03	Marking label, horizontal, 21 to 30, repeated in 12 lines
TM27CB-FH04	Marking label, horizontal, 31 to 40, repeated in 12 lines
TM27CB-FH05	Marking label, horizontal, 41 to 50, repeated in 12 lines
TM27CB-EH01	Marking label, horizontal, 1 to 50, repeated in 2 sets
TM27CB-EH02	Marking label, horizontal, 1 to 50, repeated in 2 sets
TM27CB-DV01	Marking label, vertical, (L1,L2,L3,N,PE) repeated 24 times
TM27CB-DV02	Marking label, vertical, (L1,L2,L3,N) repeated 24 times
TM27CB-FV01	Marking label, vertical, 1 to 10, repeated in 12 lines
TM27CB-FV02	Marking label, vertical, 11 to 20, repeated in 12 lines
TM27CB-EV01	Marking label, vertical, 1 to 50, repeated in 2 sets

TM28CB

Part numbers	Descriptions
TM28CB	Marking label, blank
TM28CB-DH01	Marking label, horizontal, (L1,L2,L3,N,PE) repeated 12 times
TM28CB-DH02	Marking label, horizontal, (L1,L2,L3,N) repeated 20 times
TM28CB-FH01	Marking label, horizontal, 1 to 10, repeated in 8 lines
TM28CB-FH02	Marking label, horizontal, 11 to 20, repeated in 8 lines
TM28CB-FH03	Marking label, horizontal, 21 to 30, repeated in 8 lines
TM28CB-FH04	Marking label, horizontal, 31 to 40, repeated in 8 lines
TM28CB-FH05	Marking label, horizontal, 41 to 50, repeated in 8 lines
TM28CB-EH01	Marking label, horizontal, 1 to 50, repeated in 1 sets
TM28CB-EH02	Marking label, horizontal, 51 to 100, repeated in 1 sets
TM28CB-DV01	Marking label, vertical, (L1,L2,L3,N,PE) repeated 12 times
TM28CB-DV02	Marking label, vertical, (L1,L2,L3,N) repeated 20 times
TM28CB-FV01	Marking label, vertical, 1 to 10, repeated in 8 lines
TM28CB-FV02	Marking label, vertical, 11 to 20, repeated in 8 lines
TM28CB-EV01	Marking label, vertical, 1 to 50, repeated in 1 sets

TM28CB - mm

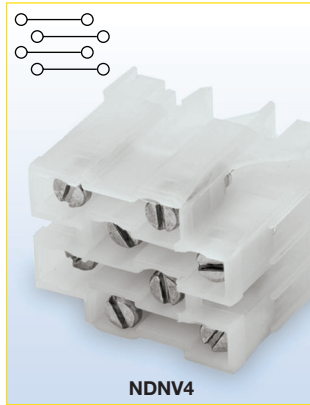




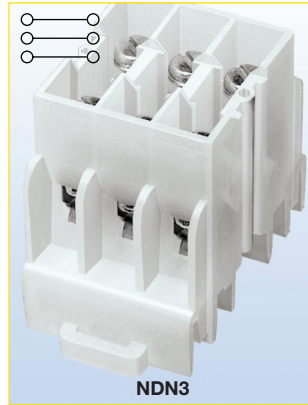
NDN

The NDN features a compact line of rail-mounted terminal blocks suitable for both 35mm DIN-Rail or C-Rail applications. Products easily snap onto the mounting rail for a quick, simple, low-cost solution. Available accessories include jumpers and marking tape.

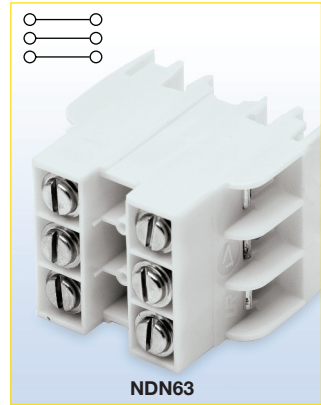
UL E62622
CSA File 15364
CSA File 47235 (NDN1, NDN11)





NDNV4





NDN3





NDN63

Approval  	
Technical Data	
Rated voltage	600V
Rated Current	30A
Center spacing, in (mm)	0.25 / 6.35
Conductor cross-section, flexible (AWG/mm ²)	22-10 / 0.5-6
Number of Poles	4
Circuits per foot	48
Torque(N•m)	2
Torque(lb-in)	18
Screw	#6-32
WxHxD(mm)	25.4 x 34 x 42.4

Colors	Cat. No.
○ White (Standard)	NDNV4-WH
● Black	NDNV4-BK
● Yellow	NDNV4-YE

Approval  	
Technical Data	
Rated voltage	600V
Rated Current	30A
Center spacing, in (mm)	0.3 / 7.62
Conductor cross-section, flexible (AWG/mm ²)	22-10 / 0.5-6
Number of Poles	3
Circuits per foot	38
Torque(N•m)	2
Torque(lb-in)	18
Screw	#6-32
WxHxD(mm)	23.9 x 33.3 x 42.4

Colors	Cat. No.
○ White (Standard)	NDN3-WH
● Black	NDN3-BK
● Blue	NDN3-BL
● Yellow	NDN3-YE
● Red	NDN3-RE

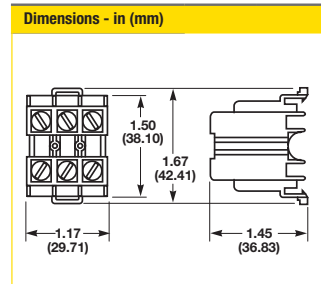
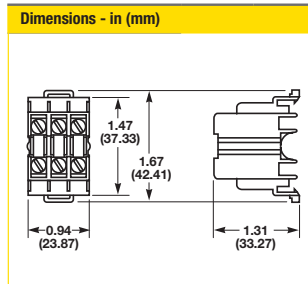
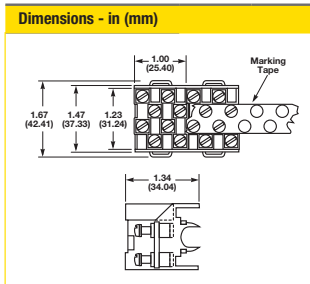
Approval  	
Technical Data	
Rated voltage	600V
Rated Current	65A
Center spacing, in (mm)	0.375 / 9.52
Conductor cross-section, flexible (AWG/mm ²)	18-6 / 1-16
Number of Poles	3
Circuits per foot	30
Torque(N•m)	4
Torque(lb-in)	35
Screw	#10-32
WxHxD(mm)	29.7 x 36.8 x 42.4

Colors	Cat. No.
○ White (Standard)	NDN63-WH
● Black	NDN63-BK
● Yellow	NDN63-YE

Accessories	Cat. No.
4 circuits	JN4
Marking Tape	MTC6
35mm DIN-Rail	DRL35MML0 DRL35MMHI
C-Rail	NFTA Series
C-Rail (low profile)	NRA Series
Modular Option	N/A

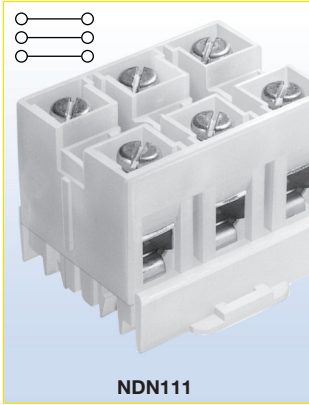
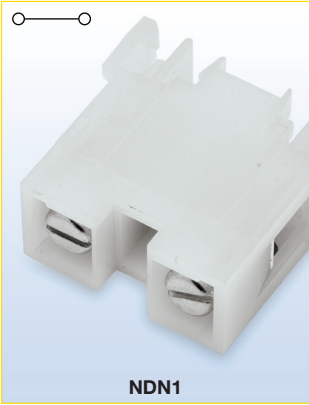
Accessories	Cat. No.
2 circuits	JND3
Marking Tape	MT12-1-2
35mm DIN-Rail	DRL35MML0 DRL35MMHI
C-Rail	NFTA Series
C-Rail (low profile)	NRA Series
Modular Option	N/A



Accessories	Cat. No.
2 circuits	JN3
Marking Tape	MT12-1-2
35mm DIN-Rail	DRL35MML0 DRL35MMHI
C-Rail	NFTA Series
C-Rail (low profile)	NRA Series
Modular Option	N/A



- Block 
- Jumper
- Marking Tape
- Mounting
- Modular Option

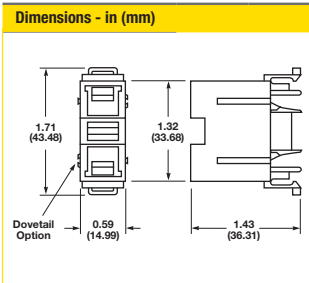
Connectors





Approval  	
Technical Data	
Rated voltage	600V
Rated Current	90A
Center spacing in (mm)	0.635 / 16.13
Conductor cross-section, flexible (AWG/mm ²)	18~2 / 0.8~33.6
Number of Poles	1
Circuits per foot	18
Torque(N•m)	3.6
Torque(lb-in)	32
Screw	1/4-28
WxHxD(mm)	15 x 30.3 x 43.5

Colors	Cat. No.
○ White (Standard)	NDN1-WH

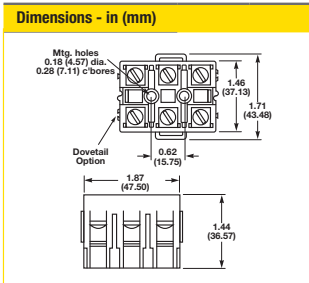
Accessories	Cat. No.
	MT12-1-2
35mm DIN-Rail	NDNA Series DRL35MML DRL35MMHI
C-Rail	NFTA Series
C-Rail (low profile)	NRA Series NDN1A-WH



Approval  	
Technical Data	
Rated voltage	600V
Rated Current	90A
Center spacing in (mm)	0.635 / 16.13
Conductor cross-section, flexible (AWG/mm ²)	18~2 / 0.8~33.6
Number of Poles	3
Circuits per foot	18
Torque(N•m)	3.6
Torque(lb-in)	32
Screw	1/4-28
WxHxD(mm)	47.5 x 36.6 x 43.5

Colors	Cat. No.
○ White (Standard)	NDN111-WH
● Black	NDN111-BK
● Blue	NDN111-BL
● Yellow	NDN111-YE
● Red	NDN111-RE

Accessories	Cat. No.
2 circuits	JN1
	MT12-1-2
35mm DIN-Rail	NDNA Series DRL35MML DRL35MMHI
C-Rail	NFTA Series
C-Rail (low profile)	NRA Series NDN111A-WH, NDN111A-BK, NDN111A-YE





C-Rail

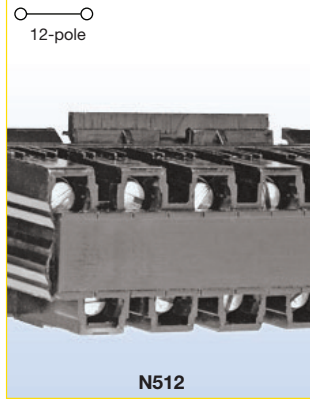
C-Rail terminal blocks provide a low-profile, compact foot-print solution for various wire connection applications. Products feature an easy, snap-on installation method and an array of accessories including jumpers and marking strips.

UL E62622 (excluding N512)
 CSA File 15364
 CSA File 47235 (NFT3)

Block



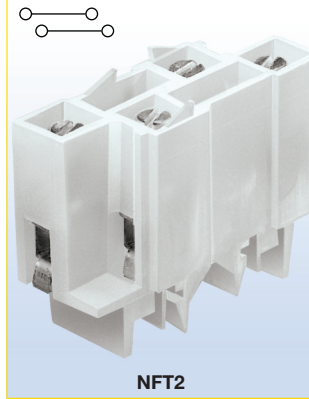
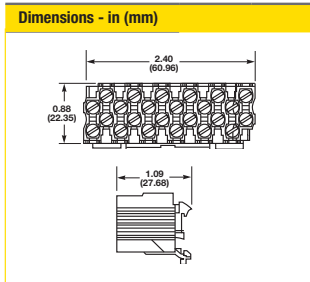
Jumper
 Marking Tape
 Mounting



Approval		SB	
Technical Data			
Rated voltage	300V	600V	
Rated current	20A	5A	
Center spacing in (mm)	0.197 / 5.0		
Conductor cross-section, flexible (AWG/mm ²)	22~12 / 0.5~4		
Number of Poles	12		
Circuits per foot	60		
Torque(N•m)	1.4		
Torque(lb-in)	12		
Screw	#4-48		
WxHxD(mm)	61.0 x 27.7 x 22.4		

Colors	Cat. No.
● Black (Standard)	N512-BK

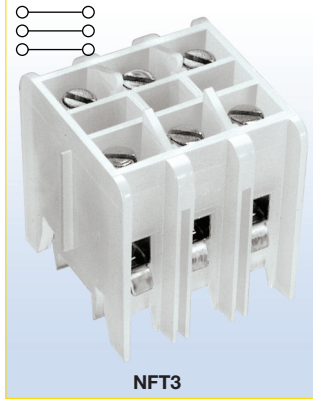
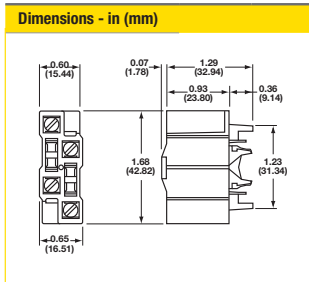
Accessories	Cat. No.
12 circuits	JN512
	AT512
15mm DIN-Rail	DRL15MM
C-Rail	NFTA Series
C-Rail (low profile)	NRA Series



Approval		UL SB	
Technical Data			
Rated voltage	600V		
Rated Current	40A		
Center spacing in (mm)	0.28 / 7.13		
Conductor cross-section, flexible (AWG/mm ²)	22~8 / 0.5~10		
Number of Poles	2		
Circuits per foot	38		
Torque(N•m)	2		
Torque(lb-in)	18		
Screw	#8-32		
WxHxD(mm)	16.5 x 34.7 x 42.8		

Colors	Cat. No.
○ White (Standard)	NFT2-WH
● Black	NFT2-BK
● Blue	NFT2-BL
● Red	NFT2-RE

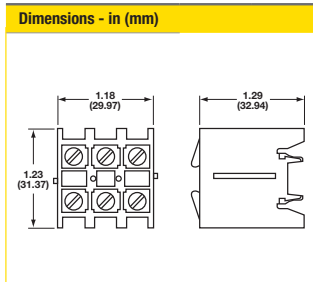
Accessories	Cat. No.
2 circuits	JN2
	MT12-1-2
C-Rail	NFTA Series
C-Rail (low profile)	NRA Series

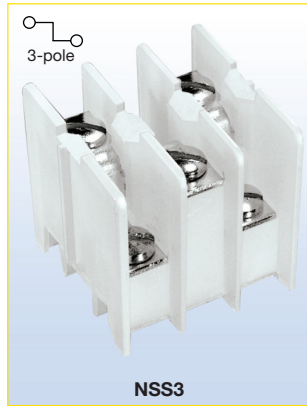
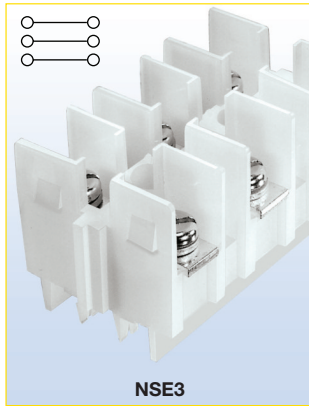
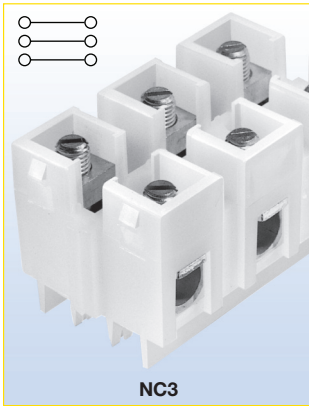


Approval		UL SB	
Technical Data			
Rated voltage	600V		
Rated Current	40A		
Center spacing in (mm)	0.39 / 9.91		
Conductor cross-section, flexible (AWG/mm ²)	22~8 / 0.5~10		
Number of Poles	3		
Circuits per foot	28		
Torque(N•m)	2		
Torque(lb-in)	18		
Screw	#8-32		
WxHxD(mm)	30.0 x 32.9 x 31.4		

Colors	Cat. No.
○ White (Standard)	NFT3-WH
● Black	NFT3-BK
● Blue	NFT3-BL
● Yellow	NFT3-YE
● Red	NFT3-RE

Accessories	Cat. No.
2 circuits	JN3
	MT12-1-2
C-Rail	NFTA Series
C-Rail (low profile)	NRA Series





Approval

Technical Data	
Rated voltage	600V
Rated Current	175A
Center spacing in (mm)	1.06 / 26.92
Conductor cross-section, flexible (AWG/mm ²)	14~2/0 / 2.5~70 Cu/AL
Number of Poles	3
Circuits per foot	11
Torque(N•m)	5.1
Torque(lb-in)	45
Screw	5/16 - 24
WxHxD(mm)	79.4 x 44.5 x 44.5

Colors	Cat. No.
○ White (Standard)	NC3-WH
● Black	NC3-BK

Approval

Technical Data	
Rated voltage	600V
Rated Current	115A
Center spacing in (mm)	1.06 / 26.92
Conductor cross-section, flexible (AWG/mm ²)	Ring Terminals Only
Number of Poles	3
Circuits per foot	11
Torque(N•m)	3.6
Torque(lb-in)	32
Screw	1/4 - 28
WxHxD(mm)	79.2 x 38.9 x 44.5

Colors	Cat. No.
○ White (Standard)	NSE3-WH

Approval

Technical Data	
Rated voltage	600V
Rated Current	30A
Center spacing in (mm)	0.385 / 9.77
Conductor cross-section, flexible (AWG/mm ²)	Ring Terminals Only
Number of Poles	3
Circuits per foot	28
Torque(N•m)	1.4
Torque(lb-in)	12
Screw	#6-32
WxHxD(mm)	31.5 x 33.7 x 31.8

Colors	Cat. No.
○ White (Standard)	NSS3-WH
● Black	NSS3-BK

Accessories Cat. No.

	MT12-1-2
Panel Mount	
C-Rail	NFTA Series
C-Rail (low profile)	NRA Series

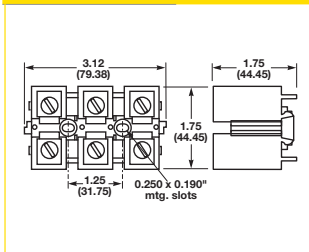
Accessories Cat. No.

2 circuits	JNSE3
	MT12-1-2
Panel Mount	
C-Rail	NFTA Series
C-Rail (low profile)	NRA Series

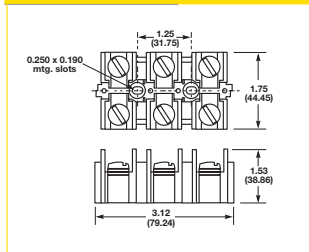
Accessories Cat. No.

2 circuits	JNSS3
	MT12-1-2
C-Rail	NFTA Series
C-Rail (low profile)	NRA Series

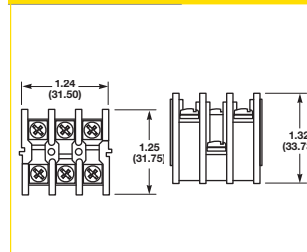
Dimensions - in (mm)

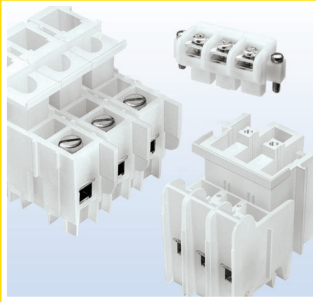


Dimensions - in (mm)



Dimensions - in (mm)



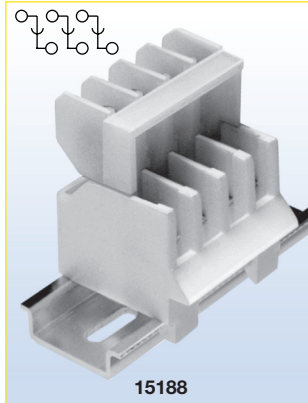


Depluggable blocks

Depluggable terminal blocks are available for both 35mm DIN-Rail and C-Rail applications. These blocks provide a simple depluggable* option for panel wiring applications with the convenience of quick, easy, snap-on installation. Product accessories, such as jumpers and marking tape, are available for most products.

UL E62622
 CSA File 15364
 CSA File 47235 (15188 Series)

*Not for use as a load break disconnect.



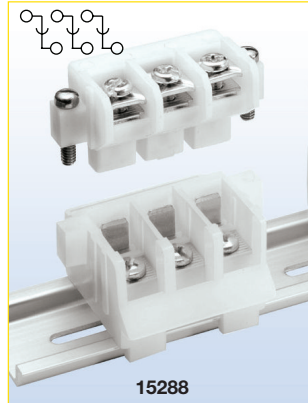
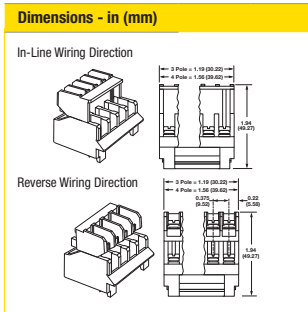
15188

Approval	
Technical Data	
Rated voltage	600V
Rated Current	30A
Center spacing in (mm)	0.375 / 9.52
Conductor cross-section, flexible (AWG/mm ²)	16~12 / 1.5~4
Number of Poles	3 or 4
Circuits per foot	32
Torque(N•m)	1.4
Torque(lb-in)	12
Screw	#6-32
WxHxD(mm)	
3-Pole	30.2 x 49.3 x 47.8
4-Pole	39.2 x 49.3 x 47.8

Colors	Cat. No.
○ White (Standard)	15188-3
○ White (Standard)	15188-4

Accessories	Cat. No.
2 circuits	15188J-2-J
35mm DIN-Rail	DRL35MMLO DRL35MMHI
Reverse Wiring	15188- <u>R</u>
Locking	15188- <u>S</u>
Reverse; Locking	15188- <u>RS</u>

Options offered for both pole lengths



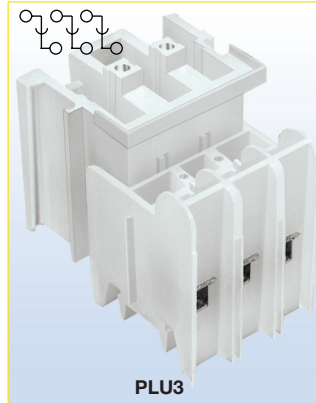
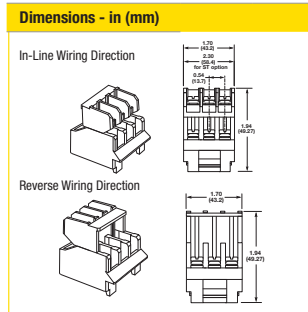
15288

Approval	
Technical Data	
Rated voltage	600V
Rated Current	65A
Center spacing in (mm)	0.54 / 13.7
Conductor cross-section, flexible (AWG/mm ²)	16~6 / 1.5~16
Number of Poles	3
Circuits per foot	22
Torque(N•m)	2.3
Torque(lb-in)	20
Screw	#8-32
WxHxD(mm)	
	43.2 x 49.3 x 47.9
	N/A

Colors	Cat. No.
○ White (Standard)	15288

Accessories	Cat. No.
35mm DIN-Rail	DRL35MMLO DRL35MMHI
Reverse Wiring	15288-R
Screw Together	15288-ST
Locking	15288-S

Options may be combined

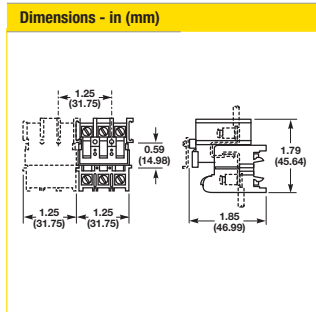


PLU3

Approval	
Technical Data	
Rated voltage	600V
Rated Current	40A
Center spacing in (mm)	0.39 / 9.91
Conductor cross-section, flexible (AWG/mm ²)	22~8 / 0.5~10
Number of Poles	3
Circuits per foot	28
Torque(N•m)	2
Torque(lb-in)	18
Screw	#8-32
WxHxD(mm)	
	31.8 x 47.0 x 45.6
	N/A

Colors	Cat. No.
○ White (Standard)	PLU3-WH
● Black	PLU3-BK
● Yellow	PLU3-YE

Accessories	Cat. No.
2 circuits	JN3
	MT12-1-2
C-Rail (AL)	NFTA Series
C-Rail (low profile)	NRA Series



Block

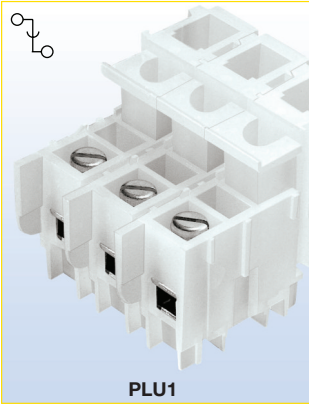


Jumper

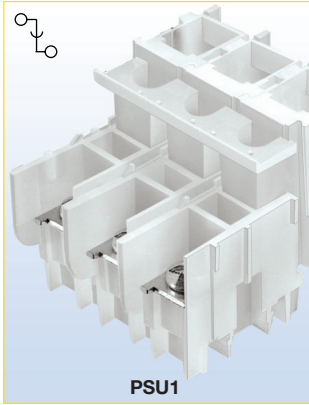
Marking Tape

Mounting

Configurable Option



PLU1



PSU1

Approval	
-----------------	--

Technical Data	
Rated voltage	600V
Rated Current	70A
Center spacing in (mm)	0.625 / 15.88
Conductor cross-section, flexible (AWG/mm ²)	18-4 / 1.0-25
Number of Poles	1 - 3
Circuits per foot	19
Torque(N•m)	3.6
Torque(lb-in)	32
Screw	1/4 - 28
WxHxD(mm)	
1-Pole	18.5 x 47.0 x 45.6
2-Pole	34.0 x 47.0 x 45.6
3-Pole	49.5 x 47.0 x 45.6

Colors	Cat. No.
○ White (1-Pole)	PLU1-WH
○ White (2-Pole)	PLU11-WH
○ White (3-Pole)	PLU111-WH

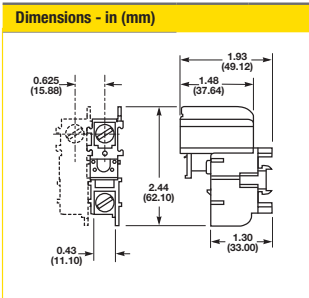
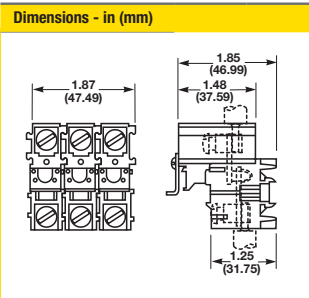
Accessories	Cat. No.
2 circuits	JN1
	MT12-1-2
C-Rail (AL)	NFTA Series
C-Rail (low profile)	NRA Series

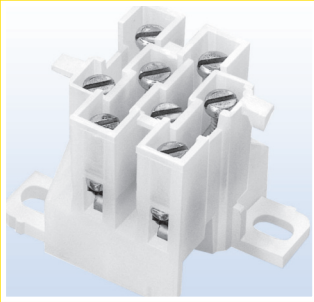
Approval	
-----------------	--

Technical Data	
Rated voltage	600V
Rated Current	45A
Center spacing in (mm)	0.625 / 15.88
Conductor cross-section, flexible (AWG/mm ²)	Ring Terminals Only
Number of Poles	1 - 3
Circuits per foot	19
Torque(N•m)	2.7
Torque(lb-in)	24
Screw	#10-32
WxHxD(mm)	
1-Pole	18.5 x 49.1 x 62.1
2-Pole	34.4 x 49.1 x 62.1
3-Pole	50.3 x 49.1 x 62.1

Colors	Cat. No.
○ White (1-Pole)	PSU1-WH
○ White (2-Pole)	PSU11-WH
○ White (3-Pole)	PSU111-WH

Accessories	Cat. No.
	MT12-1-2
C-Rail (AL)	NFTA Series
C-Rail (low profile)	NRA Series

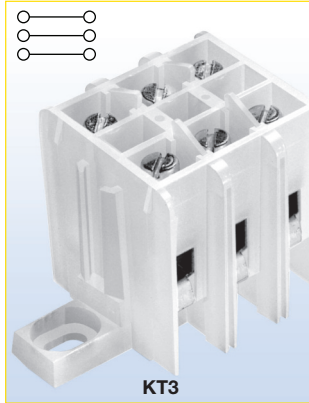




Panel mount blocks

Multi-pole panel mount terminal blocks provide a compact, high density circuit connection solution without the necessity of a mounting rail. These products are designed to be nested together to form one string of circuit connections.

UL E62622
CSA 15364 (excluding PLK3)

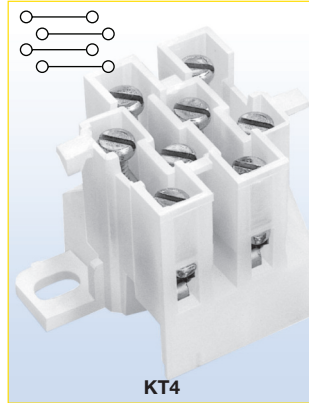


KT3

Approval	
Technical Data	
Rated voltage	600V
Rated Current	40A
Center spacing in (mm)	0.39 / 9.91
Conductor cross-section, flexible (AWG/mm ²)	22~8 / 0.5~10
Number of Poles	3
Circuits per foot	28
Torque(N•m)	2
Torque(lb-in)	18
Screw	#8-32
WxHxD(mm)	59.5 x 31.8 x 31.0

Colors	Cat. No.
○ White (Standard)	KT3-WH
● Black	KT3-BK
● Red	KT3-RE

Accessories	Cat. No.
2 circuits	JN3
	MT12-1-2
Mounting Foot	KAD

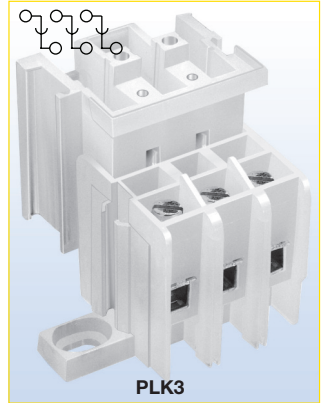


KT4

Approval	
Technical Data	
Rated voltage	600V
Rated Current	30A
Center spacing in (mm)	0.25 / 6.35
Conductor cross-section, flexible (AWG/mm ²)	22~10 / 0.5~6
Number of Poles	4
Circuits per foot	48
Torque(N•m)	2
Torque(lb-in)	18
Screw	#6-32
WxHxD(mm)	43.8 x 34.0 x 32.2

Colors	Cat. No.
○ White*	KT4-WH-A
○ White*	KT4-WH-B
● Black	KT4-BK

Accessories	Cat. No.
4 circuits	JN4
	MTC6
Mounting Foot	KAD



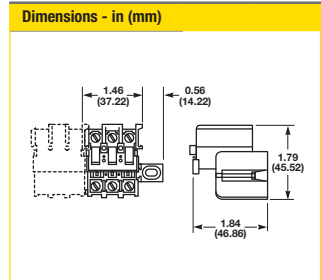
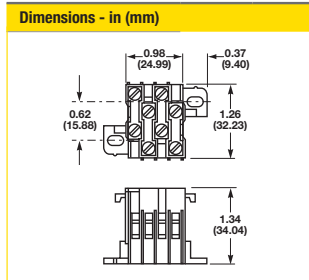
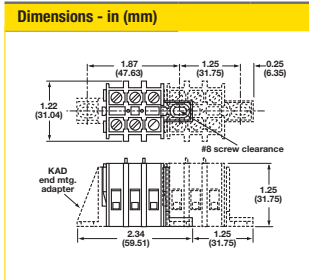
PLK3

Approval	
Technical Data	
Rated voltage	600V
Rated Current	40A
Center spacing in (mm)	0.39 / 9.91
Conductor cross-section, flexible (AWG/mm ²)	22~8 / 0.5~10
Number of Poles	3
Circuits per foot	28
Torque(N•m)	2
Torque(lb-in)	18
Screw	#8-32
WxHxD(mm)	65.7 x 46.9 x 45.5

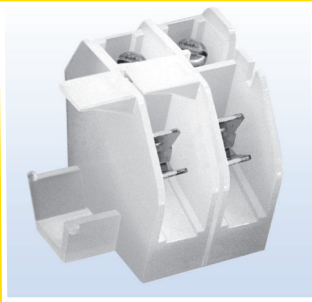
Colors	Cat. No.
○ White (Standard)	PLK3-WH

Accessories	Cat. No.
2 circuits	JN3
	MT12-1-2
Mounting Foot	KAD

- Block
- Jumper
- Marking Tape
- Mounting



*The KT4 products are designed to be nested together to form one string of circuit connections. When used in series, order part numbers KT4-WH-A and KT4-WH-B.



Quick connect blocks

For a time saving alternative for electrical connections, the Cooper Bussmann quick connect terminal blocks offer a convenient solution. With male spade terminals, wire connections are made quickly and simply with these terminal blocks. Products are offered for C-Rail and panel mount applications.

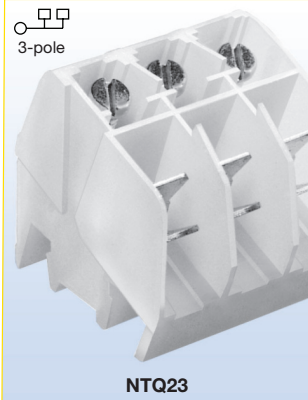
UL E62622
CSA 15364 (excluding NTQ23)

Block



Marking Tape

Mounting



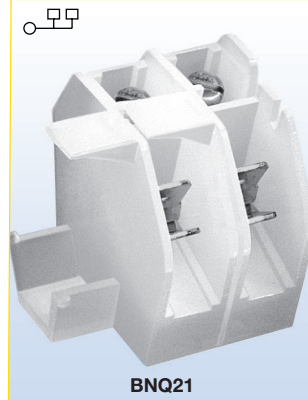
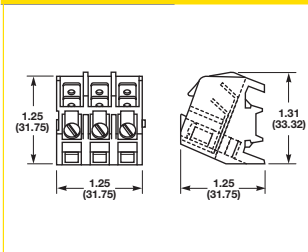
NTQ23

Approval	
Technical Data	
Rated voltage	600V
Rated Current	40A
Center spacing in (mm)	0.39 / 9.91
Conductor cross-section, flexible (AWG/mm ²)	22~8 / 0.3~8.4
Number of Poles	3
Circuits per foot	28
Torque(N•m)	2
Torque(lb-in)	18
Screw	#8-32
WxHxD(mm)	31.8 x 31.8 x 33.2

Colors	Cat. No.
○ White (Standard)	NTQ23-WH

Accessories	Cat. No.
	MT12-1-2
C-Rail	NFTA Series
C-Rail (low profile)	NRA Series

Dimensions - in (mm)



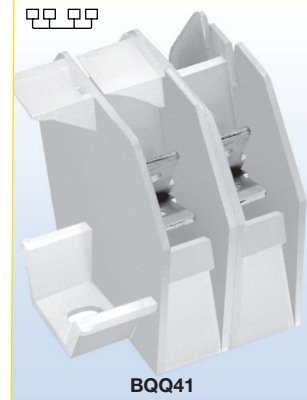
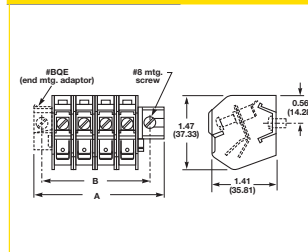
BNQ21

Approval	
Technical Data	
Rated voltage	600V
Rated Current	40A
Center spacing in (mm)	0.437 / 11.1
Conductor cross-section, flexible (AWG/mm ²)	22~8 / 0.3~8.4
Number of Poles	1
Circuits per foot	24
Torque(N•m)	2
Torque(lb-in)	18
Screw	#8-32
WxHxD(mm)	33.3 x 35.8 x 37.3

Colors	Cat. No.
○ White (Standard)	BNQ21-WH

Accessories	Cat. No.
Mounting Foot	BQE

Dimensions - in (mm)



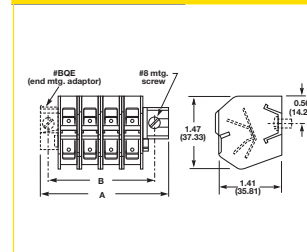
BQQ41

Approval	
Technical Data	
Rated voltage	600V
Rated Current	30A
Center spacing in (mm)	0.437 / 11.1
Conductor cross-section, flexible (AWG/mm ²)	.25" Quick Connect Terminals Only
Number of Poles	1
Circuits per foot	24
Torque(N•m)	NA
Torque(lb-in)	NA
Screw	NA
WxHxD(mm)	33.3 x 35.8 x 37.3

Colors	Cat. No.
○ White (Standard)	BQQ41-WH

Accessories	Cat. No.
Mounting Foot	BQE

Dimensions - in (mm)



TB100

- Specifications**
- Rating:** 30A, 300V*
- Center spacing:** 0.375" or 3/8" (9.52mm)
- Wire range:** #14 - 22 AWG Cu
- Screw size:** #6-32 phillslot screws
- Torque rating:** 9 lb-in
- Distance between barriers:** 0.30" (7.62mm)
- Mounting:** #6 screws
- Operating temperature:** 130°C (266°F) max., -40°C (-40°F) min.
- Materials:** Molded base: Black, UL rated 94V0 thermoplastic
- Terminal plating: Tin over brass; Screws: Zinc-plated steel
- Breakdown voltage:** 3600V
- Agency information:** UL File E62622/CSA File 47235; IEC Compliance; CE Certified
- * Max rating shown; some options may be rated lower.

Dimensions - in

Poles	A	B	Poles	A	B	Poles	A	B
02	1.40	1.12	14	5.90	5.62	26	10.40	10.12
03	1.78	1.50	15	6.28	6.00	27	10.78	10.50
04	2.16	1.88	16	6.66	6.38	28	11.16	10.88
05	2.53	2.25	17	7.03	6.75	29	11.53	11.25
06	2.90	2.62	18	7.40	7.12	30	11.90	11.62
07	3.28	3.00	19	7.78	7.50	31	12.28	12.00
08	3.66	3.38	20	8.16	7.88	32	12.66	12.38
09	4.03	3.75	21	8.53	8.25	33	13.03	12.75
10	4.40	4.12	22	8.90	8.62	34	13.40	13.12
11	4.78	4.50	23	9.28	9.00	35	13.78	13.50
12	5.16	4.88	24	9.66	9.38	36	14.16	13.88
13	5.53	5.25	25	10.03	9.75			

1" = 25.4mm.

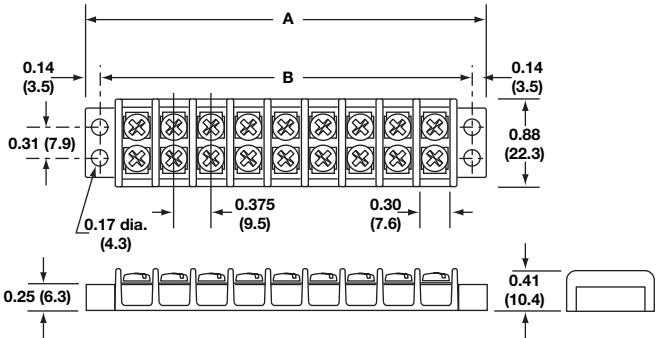


TB100-08



TB100-04SP

TB100- in (mm)



Catalog number build-a-code

Symbol	Poles	Screw options	Marking/cover	Hardware options
TB100	— <input type="checkbox"/> <input type="checkbox"/>	<input type="checkbox"/> <input type="checkbox"/> <input type="checkbox"/>	<input type="checkbox"/> <input type="checkbox"/>	<input type="checkbox"/> <input type="checkbox"/> <input type="checkbox"/> <input type="checkbox"/>
	02 to 36	Blank - steel phillslot, zinc-plated 00 - screws shipped bulk B - brass phillslot, nickel-plated SP - steel Sems phillslot, zinc-plated	L1 to L6 Marking Options (See page 11-39) Marker Strips (See page 11-40) Special Markings (See page 11-40) Covers (See page 11-39)	QC1 to QC20 - quick connects Custom options** J101 - flat slip-on jumper (2 position only) 0J2 - over barrier jumpers 0J4 - over barrier jumpers

**Contact factory for pole configuration.

11

Connectors

Double row terminal blocks

Screw options



B
Brass philslot
nickel-plated
F502-J

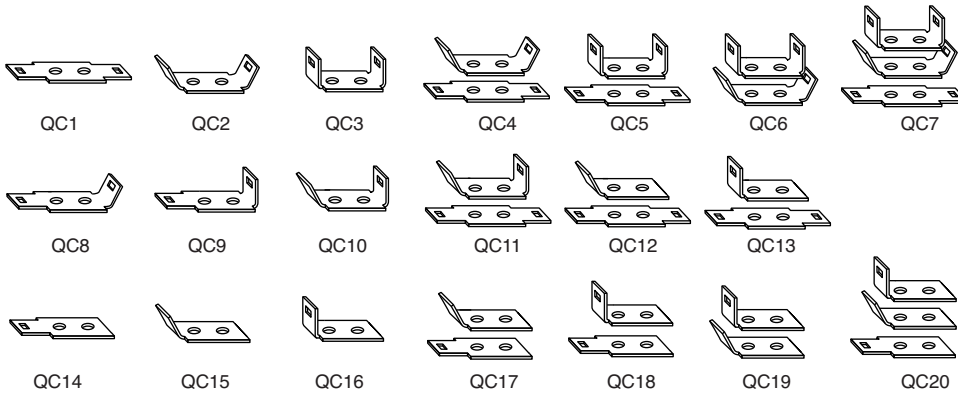


SP
Steel SEMS
philslot zinc-plated
B001-7021-J

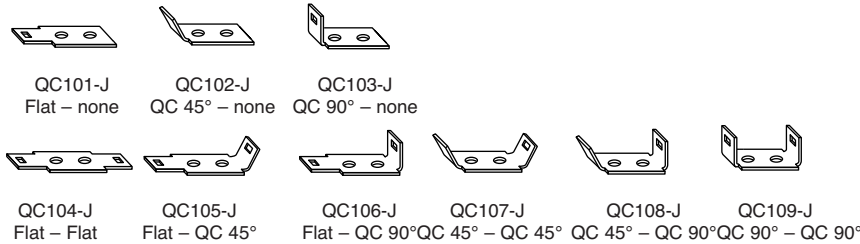
Bulk:

Hardware options

Quick connects – assembled: terminals 0.187" x 0.020". Maximum current rating 13 amps. For other orientations, contact Eaton.



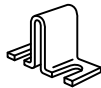
Quick connects – bulk: minimum order per part number – 100 pieces.



Jumpers – bulk: minimum order per part number – 100 pieces. Contact Eaton for jumper assembly.



J101
Flat slip-on
(Bulk: J101-J)



OJ2
Slip-on over barrier
(Bulk: OJ2-J)



OJ4
Closed over barrier
(Bulk: OJ4-J)

TB200 and TB200HB

Specifications

Ratings:

- Volts: — 300V* (TB200)
- 600V* (TB200HB)

Amps: — 30A*

Center spacing: 0.437" or 7/16" (11.10mm)

Wire range: #12 - 22 AWG Cu

Screw size: #6-32 phillslot screws

Torque rating: 9 lb-in

Distance between barriers: 0.353" (8.97mm)

Mounting: #6 screws

Operating temperature: 130°C (266°F) max.,
-40°C (-40°F) min.

Materials: Molded base: Black, UL rated 94V0 thermoplastic

Terminal plating: Tin over brass; Screws: Zinc-plated steel

Breakdown voltage: 4800V

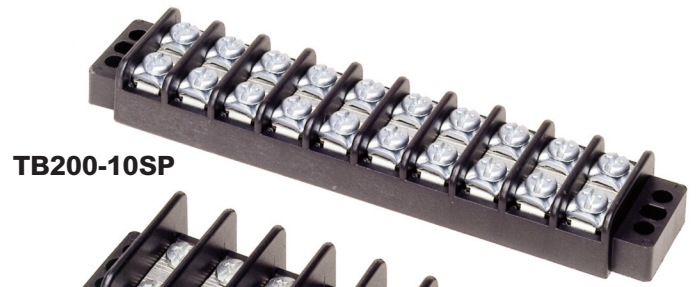
Agency information: UL File E62622, CSA File 47235 and 15364; IEC Compliance; CE Certified

* Max rating shown; some options may be rated lower.

Dimensions - in

Poles	A	B	Poles	A	B	Poles	A	B
02	1.63	1.31	12	6.00	5.68	22	10.37	10.06
03	2.07	1.75	13	6.44	6.12	23	10.81	10.50
04	2.51	2.18	14	6.87	6.56	24	11.25	10.93
05	2.94	2.62	15	7.31	7.00	25	11.68	11.37
06	3.38	3.06	16	7.75	7.43	26	12.12	11.81
07	3.82	3.50	17	8.19	7.87	27	12.56	12.25
08	4.25	3.93	18	8.62	8.31	28	13.00	12.68
09	4.69	4.37	19	9.06	8.75	29	13.44	13.12
10	5.13	4.81	20	9.50	9.18	30	13.87	13.56
11	5.57	5.25	21	9.94	9.62			

1" = 25.4mm.

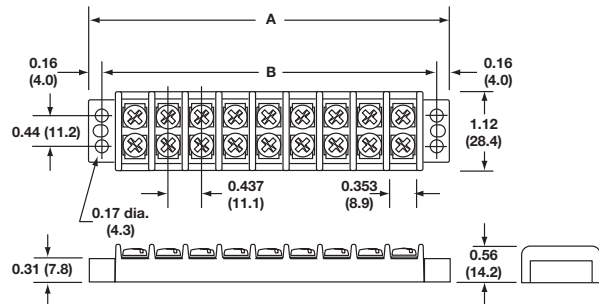


TB200-10SP

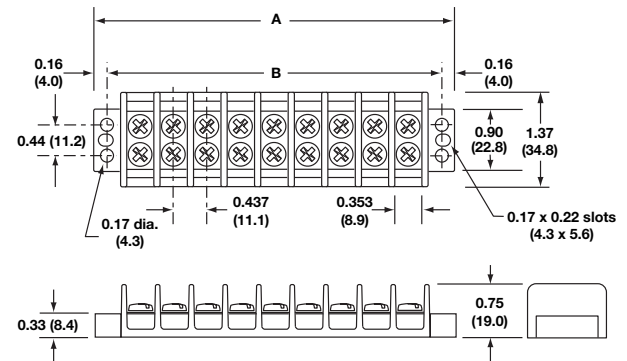


TB200HB-06

TB200 - in (mm)



TB200HB



Catalog number build-a-code

Symbol	Poles	Screw options	Marking/cover	Hardware options
TB <input type="checkbox"/> <input type="checkbox"/> <input type="checkbox"/> <input type="checkbox"/> <input type="checkbox"/> - <input type="checkbox"/> <input type="checkbox"/>		<input type="checkbox"/> <input type="checkbox"/> <input type="checkbox"/>	<input type="checkbox"/> <input type="checkbox"/>	<input type="checkbox"/> <input type="checkbox"/> <input type="checkbox"/> <input type="checkbox"/>
200 - Standard	02 to 30	Blank - Steel phillslot, zinc-plated	L1 to L6 - marking options (see page 11-39)	QC1 to QC20 - Quick connects
200HB - High barrier		00 - Screws shipped bulk	Special markings (see page 11-39)	
		B - Brass phillslot, nickel-plated	Covers (see page 11-39)	
		BS - Brass Sems phillslot, nickel-plated	Marking strips (see page 11-40)	
		SP - Steel Sems phillslot, zinc-plated		Custom options**
		P - Steel Sems (P-style)		J201 - Flat slip-on jumper (2 position only)
		ST - Stainless steel, phillslot		OJ3 - Over barrier jumpers
		SS - Stainless steel Sems, phillslot		OJ5 - Over barrier jumpers
				OJ7 - Over barrier jumpers

**Contact factory for pole configuration

Screw options



B
Brass philslot
nickel-plated
Bulk: B001-7016-J



BS
Brass SEMS
philslot nickel-plated
B001-7019-J



SP
Steel SEMS
philslot zinc-plated
B001-7007-J



P
Steel SEMS
(P-style)
B001-7000-J



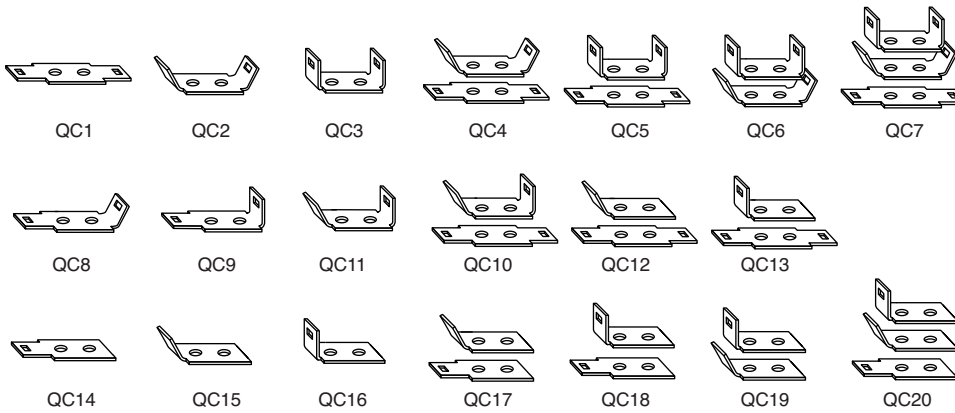
ST
Stainless steel
philslot
F507-J



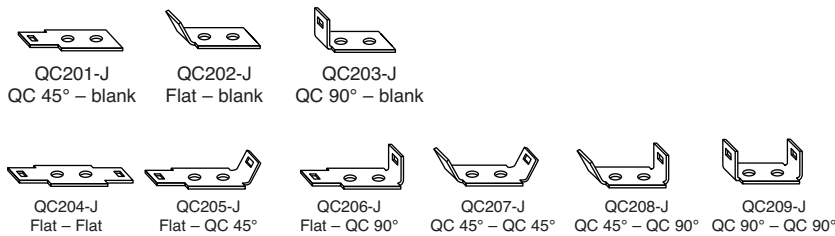
SS
Stainless steel
SEMS philslot
B001-7085-J

Hardware options

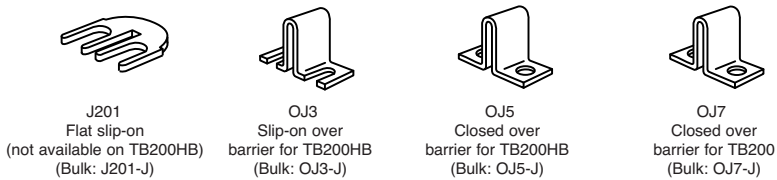
Quick connects – assembled: Terminals 0.25" x 0.031". Maximum current rating 20 amps. For other orientations, contact Eaton.



Quick connects – bulk: minimum order per part no. – 100 pieces.



Jumpers – bulk: minimum. order per part no. – 100 pieces. Contact Eaton for jumper assembly.



TB300 and TB345

Specifications

Ratings:

- Volts: — 600V*
- Amps: — 30A* (TB300)
- 45A (TB345)

Center spacing: 0.562" or 9/16" (14.28mm)

Wire range: #8 - 22 AWG Cu

Screw size: TB300 – #8-32 philslot screws
TB345 – #10-32 philslot screws

Torque rating: #8 screws - 16 lb-in;
#10 screws - 20 lb-in

Distance between barriers: 0.41" (10.5mm)

Mounting: TB300 – #8 screws; TB345 – #10 screws

Operating temperature: 130°C (266°F) max., -40°C (-40°F) min.

Material: Molded base: Black, UL rated 94V0 thermoplastic
Terminal plating: Tin over brass; Screws: Zinc-plated steel

Breakdown voltage: 7500V

Agency information: UL File E62622, CSA File 47235; IEC

Compliance; CE Certified

* Max rating shown; some options may be rated lower.

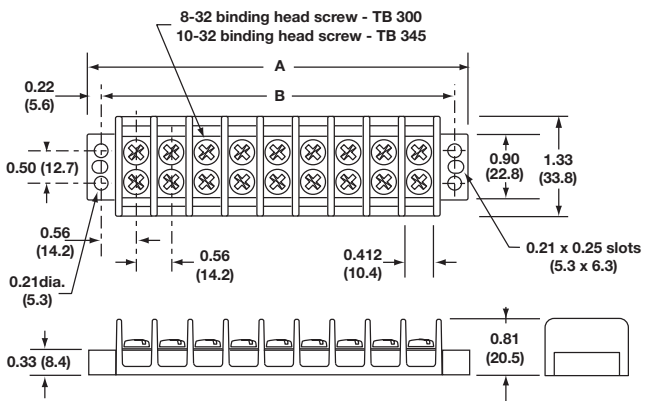
Dimensions - in

Poles	A	B	Poles	A	B	Poles	A	B
02	2.13	1.69	10	6.62	6.19	18	11.12	10.68
03	2.69	2.25	11	7.18	6.75	19	11.68	11.25
04	3.25	2.81	12	7.75	7.31	20	12.24	11.81
05	3.81	3.37	13	8.31	7.87	21	12.80	12.37
06	4.37	3.94	14	8.87	8.44	22	13.37	12.93
07	4.94	4.50	15	9.43	9.00	23	13.93	13.50
08	5.50	5.06	16	9.99	9.56	24	14.49	14.06
09	6.06	5.62	17	10.56	10.12			

1" = 25.4mm.



TB300 and TB345 - in (mm)



Catalog number build-a-code

Symbol	Poles	Screw options	Marking/cover	Hardware options
TB <input type="checkbox"/> <input type="checkbox"/> <input type="checkbox"/> - <input type="checkbox"/> <input type="checkbox"/>		<input type="checkbox"/> <input type="checkbox"/> <input type="checkbox"/>	<input type="checkbox"/> <input type="checkbox"/>	<input type="checkbox"/> <input type="checkbox"/> <input type="checkbox"/> <input type="checkbox"/>
300 = 8-32 screw 345 = 10-32 screw	02 to 24	Blank = Steel philslot, zinc-plated 00 = Screws shipped bulk B = Brass philslot, nickel-plated BS = Brass Sems philslot, nickel-plated (TB300 only) SP = Steel Sems philslot, zinc-plated (TB300 only) ST = Stainless steel, philslot	L1 to L6 marking options (pg 11-39) Special markings (pg 11-39) Covers (pg 11-39) Marking strips (pg 11-40)	QC1 to QC20 = Quick connects (TB300 only)
				Custom options J301 = Flat slip-on jumper OJ6 = Over barrier jumper OJ11 = Over barrier jumper

Screw options



B

Brass philslot
nickel-plated
B001-7018-J
TB300 Blk:
TB345 Blk: B500-023-028-J



BS

Brass SEMS
philslot nickel-plated
B001-7015-J



SP

Steel SEMS
philslot zinc-plated
B001-7017-J

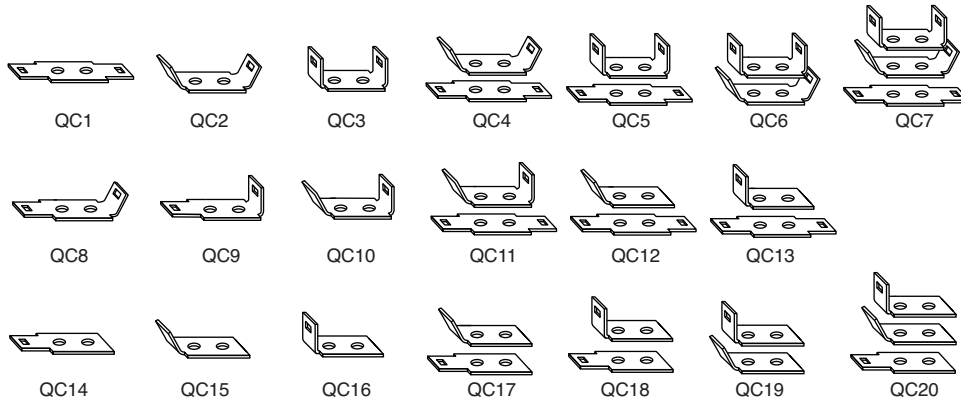


ST

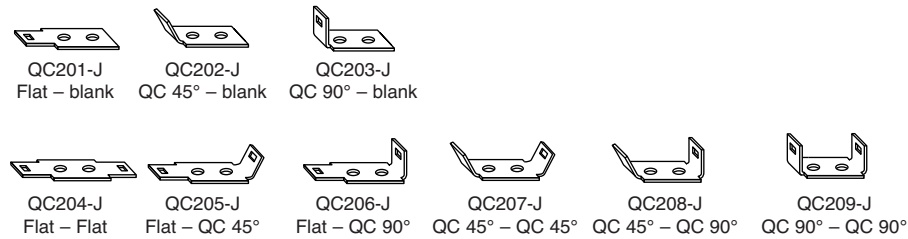
Stainless steel
philslot
B001-7063-J
B001-7064-J

Hardware options

Quick connects – assembled: TB300 only. Terminals 0.25" x 0.031". Maximum current rating 20 amps. For other orientations, contact Eaton.



Quick connects – bulk: (*TB300 only) minimum order per part number. – 100 pieces.

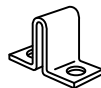


Jumpers – bulk: minimum order per part number – 100 pieces. Contact Eaton for jumper assembly.



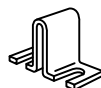
J301

Flat slip-on(TB300 only)
(Bulk: J301-J)



OJ6

Closed over barrier
(Bulk: OJ6-J)



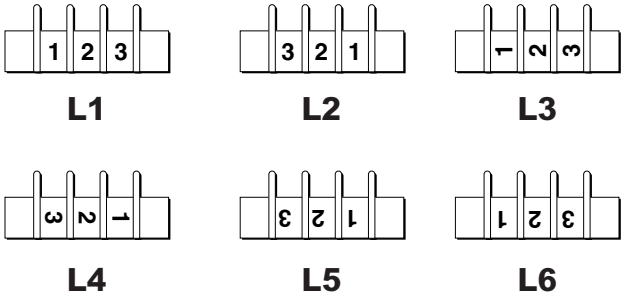
OJ11

Slip-on over barrier
(Bulk: OJ11-J)

Standard marking

Standard markings are applied directly to the side(s) of a block. The standard marking color is white. The standard numeral height is 0.125 inches (3.17mm).

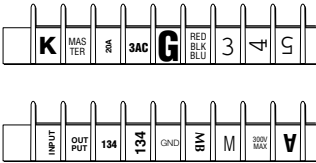
Note: Blocks marked on both sides require a different code for each side. Example: Style L1 on one side of the block requires Style L2 on the other side to ensure common terminal marking. To order, add appropriate suffix (L1, L2, L3, L4, L5 and/or L6) to block catalog number in the proper sequence.



Special marking

Special markings are available at an additional charge. Drawing(s) must be submitted to ensure accuracy of part required. Consult Eaton for price and delivery.

Note: Marking is not available on TB400 products

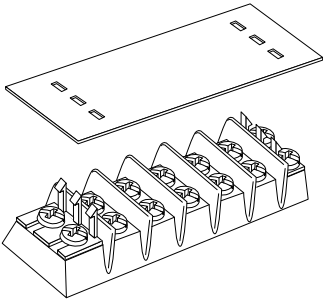


Covers

Covers prevent personnel, screws and foreign items from contacting live terminals, and are available in white or clear plastic. Two cover clips are supplied with each cover. The cover width is 1.31 inches (33.3mm).

All covers must be ordered separately.

Example: 10 position cover, white, TB100 = catalog number **X12010**.



Catalog number build-a-code

Symbol	Cover strip	Poles	High barrier option only
x	□ □ □ 120 - TB100/white 119 - TB100/clear 220 - TB200/TB200HB - white 219 - TB200/TB200HB - clear 320 - TB300 & TB345 - white 319 - TB300 & TB345 - clear	□ □ 02 to 36 (TB100) 02 to 30 (TB200/TB200HB) 02 to 24 (TB300/TB345)	□ □ HB = High barrier

Note: Covers are not available on TB400.

Cover clips – bulk

- Part number
- DD1-J** – TB100
- DD2-J** – TB200
- DD2HB-J** – TB200HB
- DD3-J** – TB300

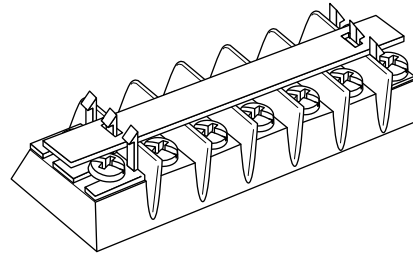
Top marker strips

Top mounting marker strips are available in white (opaque) plastic. Two cover clips are supplied with each marker strip.

All top marker strips must be ordered separately.

Example: 12 position cover, TB200, 0.032" x 0.312" = catalog number **X20312**.

Example: 12 position cover, TB200HB, 0.06" x 0.50" = catalog number **X23312HB**.



Catalog number build-a-code

Series	Top marker strip	Poles	High barrier option only
x	<input type="checkbox"/> <input type="checkbox"/> <input type="checkbox"/>	<input type="checkbox"/> <input type="checkbox"/>	<input type="checkbox"/> <input type="checkbox"/>
	133 - TB100 (0.060 thk x 0.500 w) 103 - TB100 (0.032 thk x 0.312 w) 233 - TB200/TB200HB (0.060 thk x 0.500 w) 203 - TB200/TB200HB (0.032 thk x 0.312 w) 333 - TB300 and TB345 (0.060 thk x 0.500 w) 303 - TB300 and TB345 (0.032 thk x 0.380 w)	02 to 36 (TB100) 02 to 30 (TB200/TB200HB) 02 to 24 (TB300/TB345)	HB = High Barrier

Note: Marking strips are not available on TB400 products

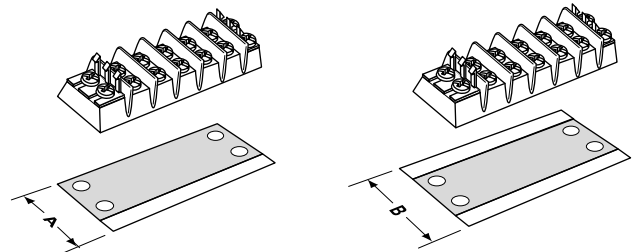
Bottom marker strips

Bottom mounting marker strips are made of black PVC, 0.030" thick. Space is available to handle most marking situations. All marker strips must be ordered separately.

To order, specify part number and required marking orientation: (BF) bottom forward, (BR) bottom reverse, (TF) top forward, or (TR) top reverse. Consult factory for specials.

Example: 13 position strip, TB100 with no markings, space for marking one side = catalog number **X10513**.

Standard numeral height is 0.125". Standard markings are 0-99. Special markings are available on special order. Drawing(s) must be submitted to ensure accuracy of part required.



Space for marking one side

Space for marking two sides

Dimensions (in)

Dim.	TB100	TB200	TB200HB	TB300	TB345	TB400
A	1.13	1.37	1.62	1.58	1.58	N/A
B	1.38	1.62	1.81	1.81	1.81	N/A

Catalog number build-a-code

Symbol	Bottom Marker Strip	Poles	Orientation
x	<input type="checkbox"/> <input type="checkbox"/> <input type="checkbox"/>	<input type="checkbox"/> <input type="checkbox"/>	<input type="checkbox"/> <input type="checkbox"/>
	105 = TB100/markings one side 101 = TB100/markings both sides 205 = TB200/markings one side 201 = TB200/markings both sides 295 = TB200HB/markings one side 291 = TB200HB/markings both sides 305 = TB300 and TB345/markings one side 301 = TB300 and TB345/markings both sides	02 to 36 (TB100) 02 to 30 (TB200/TB200HB) 02 to 24 (TB300/TB345)	BF = Bottom forward BR = Bottom reverse TF = Top forward TR = Top reverse

Note: Marking Strips are not available on TB400.

TB400

Specifications
Ratings:

- Volts: — 600V
- Amps: — 75A
- Center spacing:** 0.687" or 11/16" (17.45mm)
- Wire range:** #6-14 AWG Cu
- Screw size:** #10-32 philslot screws
- Torque rating:** 20 lb-in
- Distance between barriers:** 0.56" (14.3mm)
- Mounting:** #10 screws
- Operating temperature:** 130°C (266°F) max., -40°C (-40°F) min.

Material: Molded base: Black, UL rated 94V0 thermoplastic
Terminal plating: Tin over brass; Screws: Zinc-plated steel
Breakdown voltage: 7500V
Agency information: UL File E62622, CSA File 47235; IEC Compliance; CE Certified

Dimensions - in

Poles	A	B	Poles	A	B	Poles	A	B
02	2.51	2.06	06	5.26	4.81	10	8.01	7.56
03	3.20	2.75	07	5.95	5.50	11	8.70	8.25
04	3.89	3.44	08	6.64	6.19	12	9.39	8.94
05	4.58	4.13	09	7.33	6.88			

1" = 25.4mm.

Screw options



Brass philslot nickel-plated
Bulk: B500-023-028-J

Stainless steel philslot
Bulk: B001-7064-J

Hardware options



OJ14: Closed over barrier
(Bulk:OJ14-J)

Catalog number build-a-code

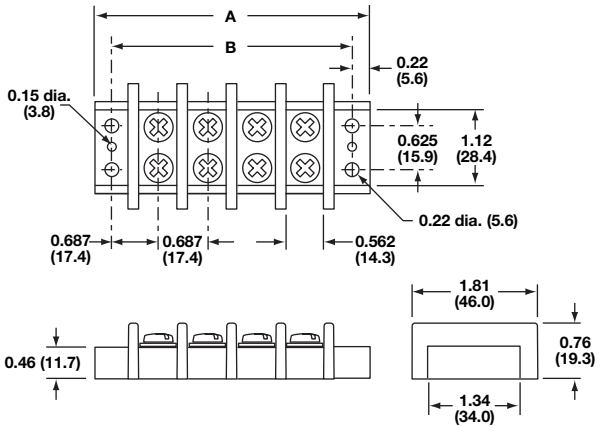
Symbol	Poles	Screw options	Marking	Custom options
TB400	- □ □	□ □ □		
	02 to 12	Blank = Steel philslot, zinc-plated 00 = Screws shipped bulk B = Brass philslot, nickel-plated ST = Stainless steel, philslot	Not available	OJ14* - Jumper over barrier

*Contact factory for pole configuration.



TB400-05

TB400 - in (mm)



KU

Specifications

Ratings:

Volts — 600V

Amps — 60A*

Center spacing: 0.625" (15.88mm)

Number of poles: 2- to 12-poles**

Wire range: #6-22 AWG Cu

Screw size: #10-32

Torque rating: 20 lb-in

Distance between barriers: 0.437" (11.09mm)

Mounting: Panel mount

Material: Molded base: Black, UL rated 94V1 Noryl

Terminal plating: Nickel over brass, Screws: Zinc plated steel

Operating temperature: 105°C max.

Agency information: UL File E62622, CSA File 47235, CE

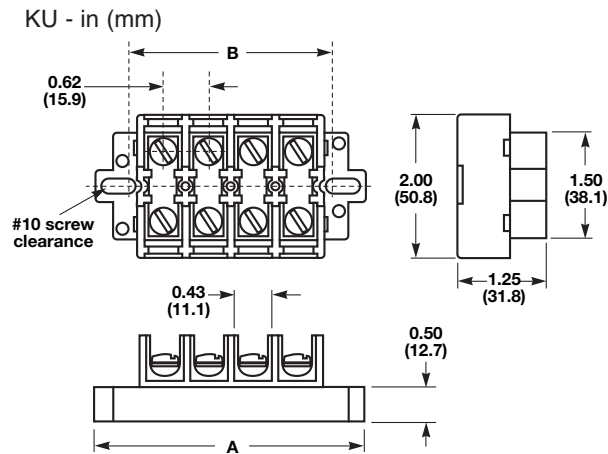
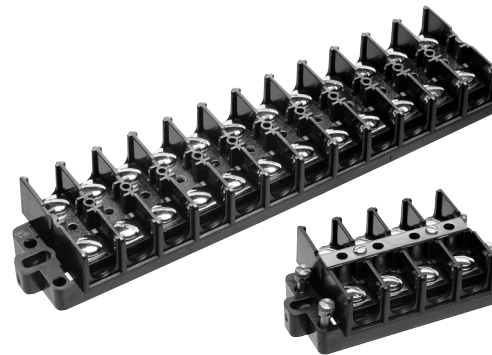
* 60A rating achieved with #6 copper wire crimped to ring terminal.

** Only even number pole configurations (3-pole = exception).

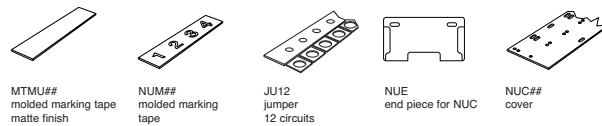
Dimensions - in

Poles	KU		KUX only
	A	B	A
02	2.50	1.62	2.00
03	3.12	2.25	2.62
04	3.75	2.87	3.25
06	5.00	4.12	4.50
08	6.25	5.37	5.75
10	7.50	6.62	7.00
12	8.75	7.87	8.25

1" = 25.4mm.



Accessories***



***Accessories must be ordered separately.

Catalog number build-a-code - KU

Symbol	Poles	Screw options	Covers	Marking strip
<input type="checkbox"/> <input type="checkbox"/> <input type="checkbox"/> <input type="checkbox"/> <input type="checkbox"/>	<input type="checkbox"/> <input type="checkbox"/> - <input type="checkbox"/> <input type="checkbox"/>	<input type="checkbox"/> <input type="checkbox"/>	<input type="checkbox"/> <input type="checkbox"/>	<input type="checkbox"/> <input type="checkbox"/> <input type="checkbox"/>
KU = Standard block	02 to 12	00 = Screws shipped bulk	WC = Top cover and 2 end plates	MT = Matte finish
KUX = Short block		W = Brass washer head, nickel-plated		NU = Numbered 1 to 12, horizontal
KURL = Standard w/removable link		P = Steel screw w/pressure plate zinc-plated		NUV = Numbered 1 to 12, vertical
KUXRL = Short block w/removable link		BP = Brass phillslot, nickel-plated		PT† = Marker strip for cover

Catalog number build-a-code - KU_SC

Symbol	Poles	Screw options	Covers	Marking strip
<input type="checkbox"/> <input type="checkbox"/> <input type="checkbox"/> <input type="checkbox"/> <input type="checkbox"/>	<input type="checkbox"/> <input type="checkbox"/> - <input type="checkbox"/> <input type="checkbox"/>	<input type="checkbox"/> <input type="checkbox"/>	<input type="checkbox"/> <input type="checkbox"/>	<input type="checkbox"/> <input type="checkbox"/> <input type="checkbox"/>
KUSC = Standard w/shorting strap and 4 shorting screws	02 to 12	00 = Screws shipped bulk	WC = Top cover and 2 end plates	PT† = Marker strip for cover
KUXSC = Short block w/shorting strap and 4 Shorting screws		W = Brass washer head, nickel-plated		
		P = Steel screw w/pressure plate zinc-plated		
		BP = Brass phillslot, nickel-plated		

†Requires WC cover option

C7021

Specifications

Description: Power feed through terminal block with two rows 1/4-20 studs capable of accommodating the industry standard two-hole compression lugs on both studs in parallel.



Ratings:

Volts: — 300V
 Amps: — 115/175A* per pole
Center spacing: 0.690" (17.5mm).
Wire range: AWG #3/0-8.
Poles: 1- to 6-poles.

Bolt Hole Spacing: 0.625" or 5/8" (15.88mm).

Stud: Standard 1/4-20 stud (tin-plated brass) or optional M6 stud.

Mounting: #6 thread cutting screws (not included) or optional mounting ears.

Torque rating: 36 lb-in.

Operating temperature: 130°C.

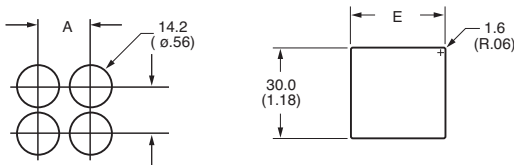
Agency information: UL/CSA; CE Certified.

*175 achieved using both studs in parallel, 115A using a single stud per line.

Typical applications

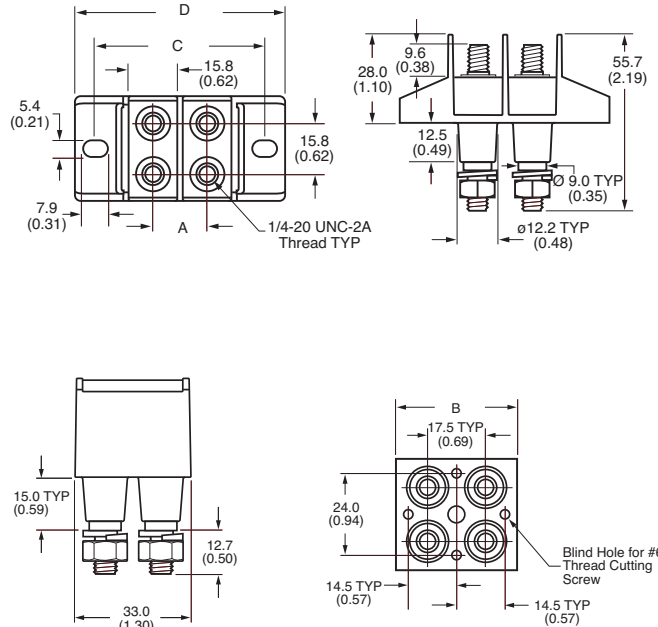
- Applications requiring up to 175A utilizing a 2-hole compression lug on 5/8" centers
- Input/output block for telecommunications power panels
- Use to eliminate busbars

Panel cutouts



Dimensions - mm (in)

Catalog numbers	A	B	C	D	E
C7021-01-X					
C7021-02-X	17.5 (0.69)	-	54.4 (2.14)	67.3 (2.65)	31.8 (1.25)
C7021-03-X	34.9 (1.37)	-	70.9 (2.83)	84.8 (3.34)	49.2 (1.94)
C7021-04-X	52.3 (2.06)	-	89.3 (3.52)	102.2 (4.02)	66.7 (2.63)
C7021-05-X	69.8 (2.75)	-	106.8 (4.20)	119.7 (4.71)	84.2 (3.31)
C7021-06-X	87.2 (3.44)	-	124.2 (4.89)	134.1 (5.40)	101.7 (4.00)
C7021-01N-X					
C7021-02N-X	17.5 (0.69)	36.1 (1.42)	-	-	31.8 (1.25)
C7021-03N-X	34.9 (0.69)	53.5 (2.11)	-	-	49.2 (1.94)
C7021-04N-X	52.3 (2.06)	71.0 (2.80)	-	-	66.7 (2.63)
C7021-05N-X	69.8 (2.75)	88.4 (3.48)	-	-	84.2 (3.31)
C7021-06N-X	87.2 (3.44)	105.9 (4.17)	-	-	101.7 (4.00)



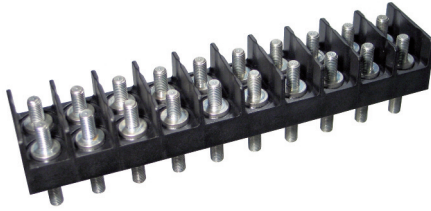
Catalog number build-a-code

Symbol	Poles	Mount ends	Studs	Hardware
C7021	- □ □	□	□ □	- □
	01 = 1-Pole (2 studs) 02 = 2-Pole (4 studs) 03 = 3-Pole (6 studs) 04 = 4-Pole (8 studs) 05 = 5-Pole (10 studs) 06 = 6-Pole (12 studs)	Blank = Mount ends N = No mount ends	Blank = Standard M6 = M6 studs	Blank = No hardware 0 = Bulk pack, one set 1 = Bulk pack, two sets 2 = Assembled, bottom 3 = Assembled, top 4 = Assembled, both sets

C7024

Specifications

Description: A power feed through terminal block with two rows of 1/4-28 studs capable of accommodating the industry standard two-hole compression lugs on 3/4" centers.



Ratings:

- Volts: — 600V
- Amps: — 115A per pole
- Center spacing:** 0.75" (19.1mm).
- Wire range:** #2-8 AWG.
- Poles:** 1 to 12.
- Bolt hole spacing:** 0.75" (19.1mm).
- Stud:** Standard 1/4-28 stud (tin-plated bronze).
- Torque rating:** 36 lb-in.
- Operating temperature:** 130°C.
- Agency information:** UL/C-UL, CSA; CE Certified.
- Flammability rating:** UL 94V0.

Catalog numbers

Catalog number	Poles	"A" Dimension- mm (in) ±0.4 (±0.02)	"B" Dimension- mm (in)
C7024-01	01	21.6 (0.85)	-
C7024-02	02	40.6 (1.60)	19.05 ±0.08 (0.750 ±0.003)
C7024-03	03	59.7 (2.35)	38.10 (1.500)
C7024-04	04	78.7 (3.10)	57.15 ±0.26 (2.250 ±0.010)
C7024-05	05	97.8 (3.85)	76.2 (3.00)
C7024-06	06	116.8 (4.60)	95.25 ±0.26 (3.750 ±0.010)
C7024-07	07	135.9 (5.35)	114.30 ±0.38 (5.250 ±0.015)
C7024-08	08	154.9 (6.10)	133.35 ±0.38 (5.25 ±0.015)
C7024-09	09	174.0 (6.85)	152.40 ±0.38 (6.00 ±0.015)
C7024-10	10	193.0 (7.60)	171.45 ±0.38 (6.750 ±0.015)
C7024-11	11	212.1 (8.35)	190.50 ±0.38 (7.500 ±0.015)
C7024-12	12	231.1 (9.10)	209.55 ±0.38 (8.250 ±0.015)

Catalog number build-a-code

Symbol Poles _____
 C7024 -
 01-12

Typical applications

- Applications requiring up to 115A utilizing a 2-hole compression lug on 3/4" centers
- Ideal as an input/output block for telecommunications power panels
- Use to eliminate busbars

Dimensions - mm (in)

