

| REVISION HISTORY |      |             |     |          |          |      |
|------------------|------|-------------|-----|----------|----------|------|
| REV              | ZONE | DESCRIPTION | BY  | APPROVED | DATE     | ECN  |
| 1                |      | FIRST ISSUE | T.N | P.M      | 27/07/17 | 9447 |



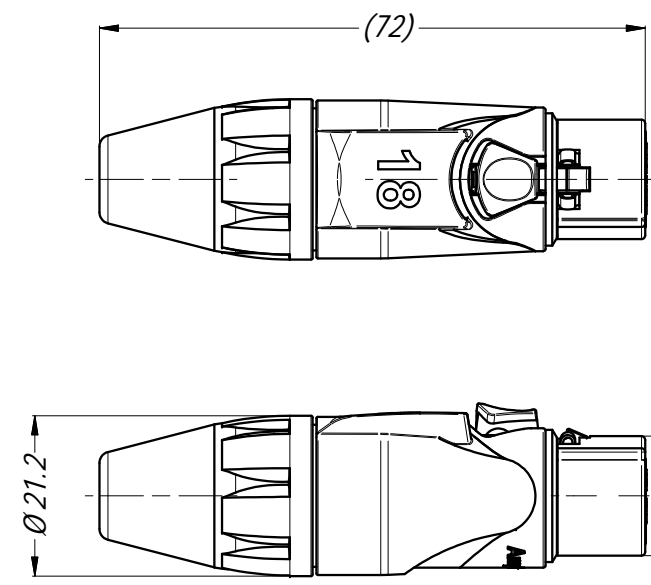
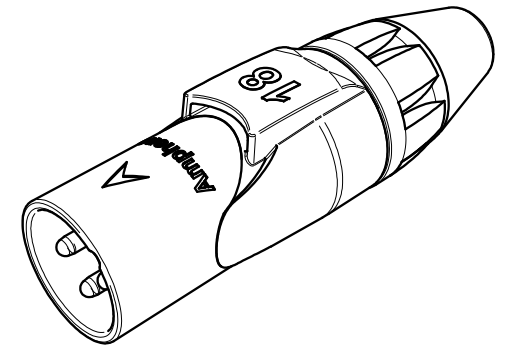
# PART NUMBER BREAKDOWN



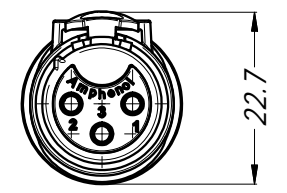
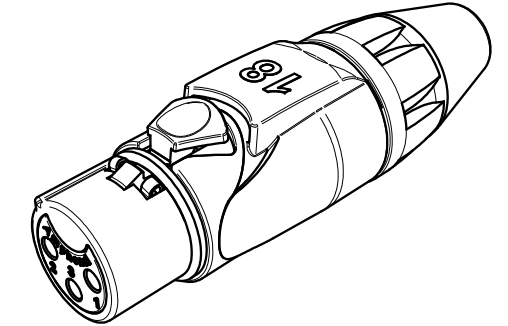
|                 |   |
|-----------------|---|
| SERIES PREFIX   | AX  |
| SERIES PREFIX   | 3 = 3 CONTACTS<br>4 = 4 CONTACTS<br>5 = 5 CONTACTS  |
| GENDER          | F = FEMALE SOCKET CONTACTS<br>M = MALE PIN CONTACTS   |
| SHELL FINISH    | B = BLACK COATING FINISH<br>BLANK = NICKEL PLATED FINISH  |
| SLEEVE COLOR    | 0 = BLACK      5 = GREEN<br>1 = BROWN      6 = BLUE<br>2 = RED        7 = VIOLET<br>3 = ORANGE    8 = GREY<br>4 = YELLOW    9 = WHITE |
| MARKING         | M = MARKING<br>BLANK = NO MARKING   |
| PRINT NUMBER    | FROM 01 TO 99   |
| CONTACT PLATING | AU = GOLD PLATED<br>BLANK = STANDARD PLATING<br>(SILVER OR TIN- REFER TO AX SERIES STANDARD DATA)                                     |



**MALE CONNECTOR**  
1:1



**FEMALE CONNECTOR**  
1:1



**NOTE:**  
 1. NUMBER "18" AS SHOWN ON THE CONNECTOR VIEWS IS FOR AN EXAMPLE OF PRINT ONLY.  
 2. LEADING ZEROS ARE OMITTED IN PRINT NUMBERS.  
 3. NUMBER 6 AND 9 ARE UNDERLINED.  
 4. PRINT COLOR IS BLACK FOR WHITE SLEEVE AND WHITE FOR ALL OF THE REST.

|  |              |  |                   |                 |   |   |          |
|--|--------------|--|-------------------|-----------------|---|---|----------|
| UNLESS OTHERWISE SPECIFIED TOLERANCE TO BE |              | THIS DOCUMENT IS THE PROPERTY OF AMPHENOL AUSTRALIA PTY. LTD. NO PART THEREOF MAY BE REPRODUCED AND USED WITHOUT THE PRIOR WRITTEN CONSENT OF THE OWNER. |                   |                 |   | <b>Amphenol</b> Amphenol Australia Pty.Ltd, 22 Industry Blvd, Carrum Downs VIC 3201 |          |
| LINEAR                                     | ANGULAR      | MATERIAL:  | DRN: T.N          | DATE: 17/07/17  | TITLE:  | PART No:  | REV      |
| X ± 0.5                                    | X' ± 1       |  | CKD: P.M          | DATE: 17/07/17  | <b>AX SERIES CABLE CONNECTOR MARKING SLEEVE</b> | SEE P/No. BREAKDOWN   | <b>1</b> |
| X.X ± 0.1                                  | X.X' ± 30'   | FINISH:  | APP'D: P.M        | DATE: 17/07/17  |   | DRAWING No.   | SHEET    |
| X.X ± 0.05                                 | X.X'X' ± 15' | DO NOT SCALE   | SCALE: <b>1:1</b> | SIZE: <b>A3</b> | <b>55010255-000-1</b>                           | <b>1/1</b>  |          |
| DIMENSIONS IN MILLIMETRES                  |              | THIRD ANGLE PROJECTION   |                   | CB4.17.F1       |   |   |          |